

COMPONENTS

- Material: Food approved high density polyethylene
- Standard Color: White (Other colors on request)
- Molded in plastic hand grip
- Pour spouts available
- Gasket: EPDM (Ethylene Propylene Diene Monomer)

WALL THICKNESS

| | cm | inch |
|---------------------|------|------|
| • Pail | .201 | .079 |
| • Gasket Lid (656) | .196 | .077 |
| • Snap-On Lid (642) | .170 | .067 |

STANDARD WEIGHT (+/- 2%)

| | g | lb. |
|---------------------------------------|-----|------|
| • Pail (including hand grip) | 948 | 2.09 |
| • Gasket Lid (656) (including gasket) | 282 | 0.62 |
| • Snap On Lid (642) | 184 | 0.40 |

- THERMAL RESISTANCE** (Tested with water)
- Filling from -38°C (-36°F) to 82°C (180°F)
 - Warehousing from -40°C (-40°F) to 39°C (102°F)

TOP LOADING RESISTANCE

| | kg | lb. |
|--------------------|-----|-----|
| • With Gasket Lid | 229 | 504 |
| • With Snap-On Lid | 140 | 308 |

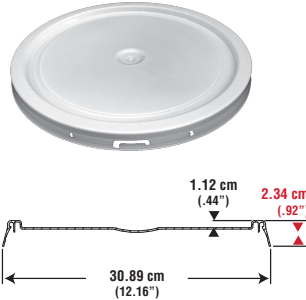
CAPACITIES

| VOLUME | Litres | GALLONS | |
|--------------------------|--------|---------|------|
| | | Imp. | U.S. |
| Nominal | 22.75 | 5.00 | 6.01 |
| Maximum to Overflow | 25.85 | 5.69 | 6.83 |
| Maximum with Gasket Lid | 24.80 | 5.45 | 6.55 |
| Maximum with Snap-On Lid | 24.95 | 5.49 | 6.59 |

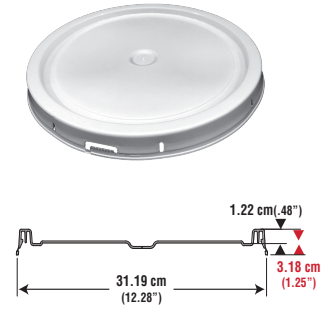
| PRODUCT DENSITY g/cm ³ | Maximum Weight Filled with Lid | | | |
|--------------------------------------|--------------------------------|-------|-------------|-------|
| | GASKET LID | | SNAP-ON LID | |
| | kg | lb | kg | lb |
| 0.5 | 13.01 | 28.63 | 13.04 | 28.69 |
| 0.6 | 15.62 | 34.35 | 15.65 | 34.42 |
| 0.7 | 18.22 | 40.08 | 18.25 | 40.16 |
| 0.8 | 20.82 | 45.81 | 20.86 | 45.90 |
| 0.9 | 23.42 | 51.53 | 23.47 | 51.63 |
| 1.0 | 26.03 | 57.26 | 26.08 | 57.37 |
| 1.1 | 28.63 | 62.98 | 28.69 | 63.11 |
| 1.2 | 31.23 | 68.71 | 31.29 | 68.84 |
| 1.3 | 33.83 | 74.43 | 33.90 | 74.58 |
| 1.4 | 36.44 | 80.16 | 36.51 | 80.32 |
| 1.5 | 39.04 | 85.89 | 39.12 | 86.06 |

Above is a guideline only.
Customer should verify with specific product to be packaged.

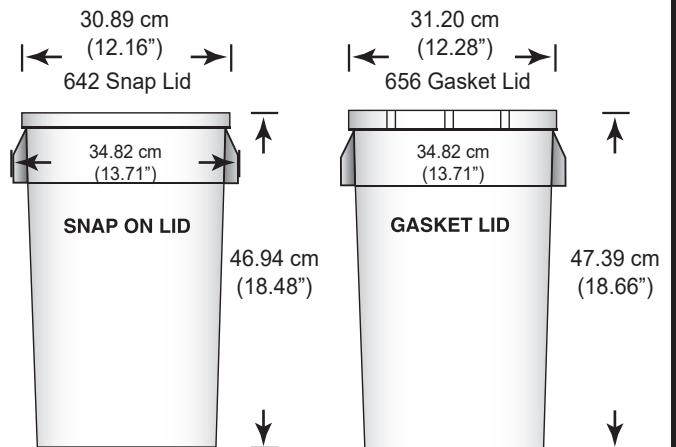
642 SNAP ON LID



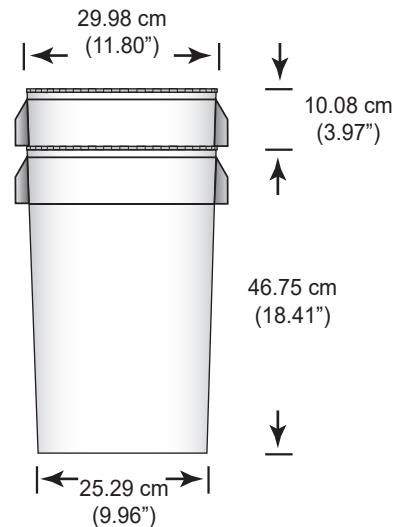
656 GASKET LID



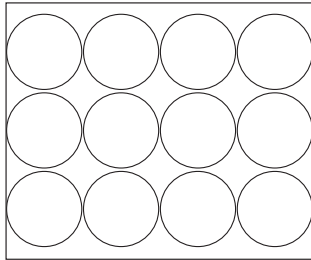
5 IMP. GALLON HAND GRIP CONTAINER



NESTING



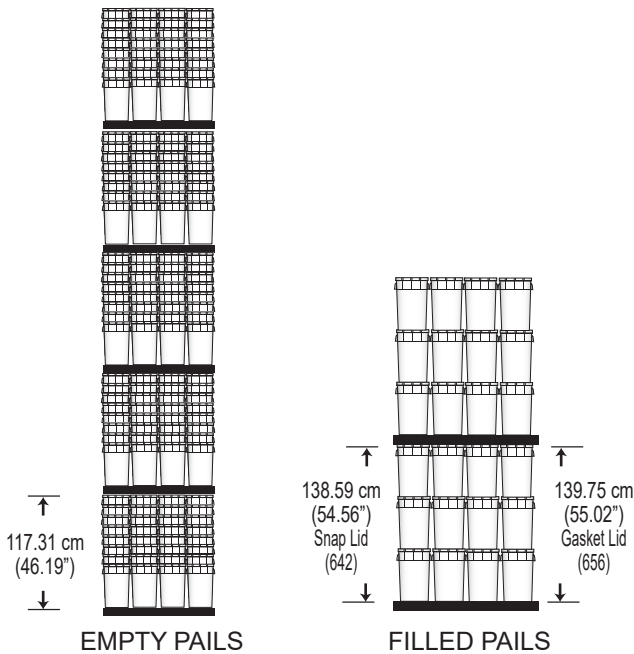
PALLET UTILIZATION



122 cm x 102 cm
(48" x 40")

IMPORTANT: Never let pails overlap edge of pallet

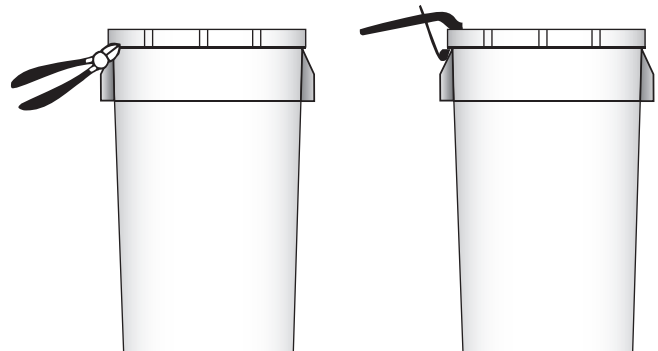
RECOMMENDED STACKING HEIGHT



EMPTY PAISLS

FILLED PAISLS

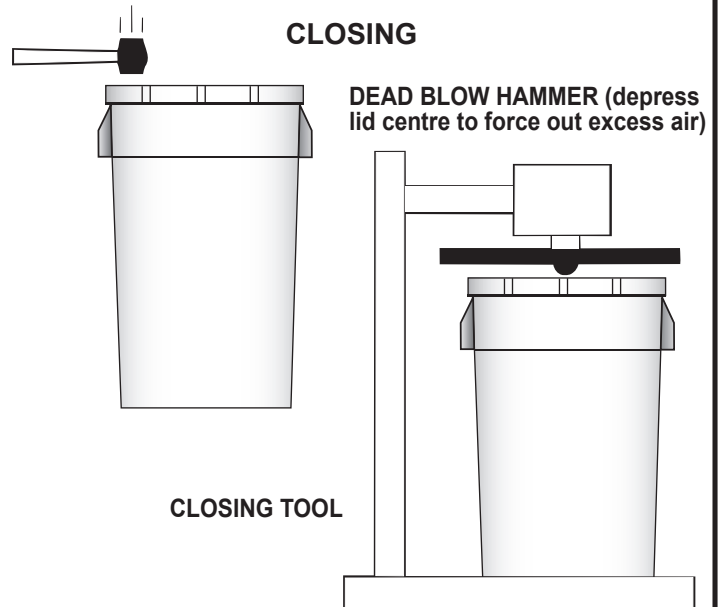
OPENING



Cutters

Lid lifter

CLOSING

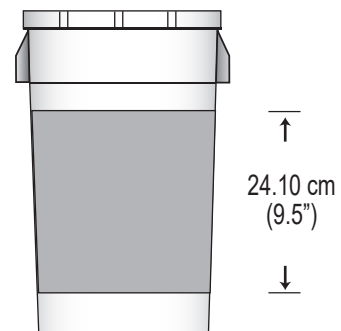


DEAD BLOW HAMMER (depress lid centre to force out excess air)

CLOSING TOOL

PRINTING

DRY OFFSET PRINTING (UP TO MAXIMUM 4 PANTONE COLORS)



SHIPPING DATA

| Quantity | 750 PAIL | SNAP LID ⁶⁴² | | GASKET LID ⁶⁵⁶ | |
|-------------|--------------------------|--------------------------|--------------------------|---------------------------|--------------------------|
| | 96/pallet | 60/box | 600/plt | 40/box | 240/plt |
| Dimensions* | 49.75" x 37.75" x 46.50" | 25.25" x 12.75" x 19.00" | 49.75" x 37.75" x 36.00" | 25.25" x 12.75" x 19.00" | 49.75" x 37.75" x 18.00" |
| Volume | 50.54 cu. ft. | 3.54 cu. ft. | 39.13 cu. ft. | 3.54 cu. ft. | 19.56 cu. ft. |
| Weight** | 92.51 kg 203.52 lbs | 11.82 kg 26.00 lbs | 111.60 kg 245.52 lbs | 12.09 kg 26.60 lbs | 69.18 kg 152.20 lbs |

* AND ** DOES NOT INCLUDE WOODEN PALLET
*** BASED ON GASKET LID WITHOUT FITTINGS

APPROVALS

Pro-Western Plastics Ltd. disclaims any liability for the use of the information and data contained herein. We reserve the right to alter or modify any product and/or specification, at any time.