



COMPONENTS

- Material: Food approved high density polyethylene
- Standard Color: White (Other colors on request)
- Plastic Fingerrip Handle
- Pour spouts available
- Gasket: EPDM (Ethylene Propylene Diene Monomer)

WALL THICKNESS

| | cm | inch |
|---------------------|------|------|
| • Pail | .180 | .071 |
| • Gasket Lid (656) | .196 | .077 |
| • Snap On Lid (642) | .170 | .067 |

STANDARD WEIGHT (+/- 2%)

| | g | lb. |
|---------------------------------------|-----|------|
| • Pail (with handle) | 834 | 1.83 |
| • Gasket Lid (656) (including gasket) | 282 | 0.62 |
| • Snap On Lid (642) | 184 | 0.40 |

- THERMAL RESISTANCE** (Tested with water)
- Filling from -38°C (-36°F) to 82°C (180°F)
 - Warehousing from -40°C (-40°F) to 39°C (102°F)

TOP LOADING RESISTANCE

| | kg | lb. |
|--------------------------|-----|-----|
| • With Gasket Lid (656) | 200 | 440 |
| • With Snap On Lid (642) | 140 | 308 |

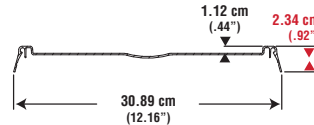
CAPACITIES

| VOLUME | Litres | GALLONS | |
|--------------------------|--------|---------|------|
| | | Imp. | U.S. |
| Nominal | 20.00 | 4.40 | 5.28 |
| Maximum to Overflow | 22.37 | 4.92 | 5.91 |
| Maximum with Gasket Lid | 21.32 | 4.69 | 5.63 |
| Maximum with Snap On Lid | 21.47 | 4.72 | 5.67 |

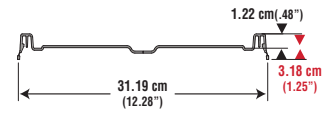
| PRODUCT DENSITY g/cm ³ | Maximum Weight Filled with Lid | | | |
|--------------------------------------|--------------------------------|-------|-------------|-------|
| | GASKET LID | | SNAP ON LID | |
| | kg | lb | kg | lb |
| 0.5 | 11.22 | 24.68 | 11.24 | 24.74 |
| 0.6 | 13.46 | 29.62 | 13.49 | 29.68 |
| 0.7 | 15.71 | 34.55 | 15.74 | 34.63 |
| 0.8 | 17.95 | 39.49 | 17.99 | 39.58 |
| 0.9 | 20.19 | 44.42 | 20.24 | 44.53 |
| 1.0 | 22.44 | 49.36 | 22.49 | 49.47 |
| 1.1 | 24.68 | 54.30 | 24.74 | 54.42 |
| 1.2 | 26.92 | 59.23 | 26.99 | 59.37 |
| 1.3 | 29.17 | 64.17 | 29.23 | 64.31 |
| 1.4 | 31.41 | 69.10 | 31.48 | 69.26 |
| 1.5 | 33.65 | 74.04 | 33.73 | 74.21 |

Above is a guideline only.
Customer should verify with specific product to be packaged.

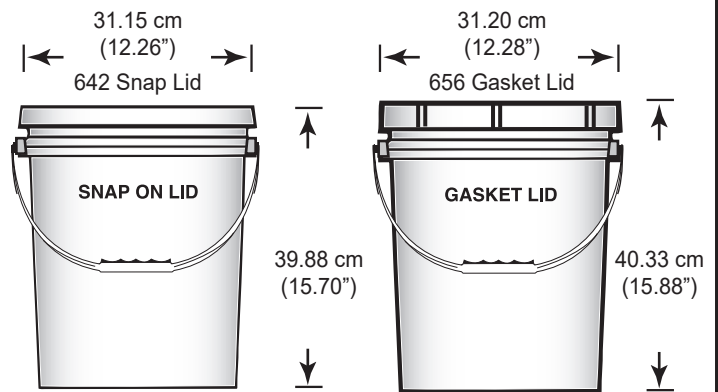
642 SNAP ON LID



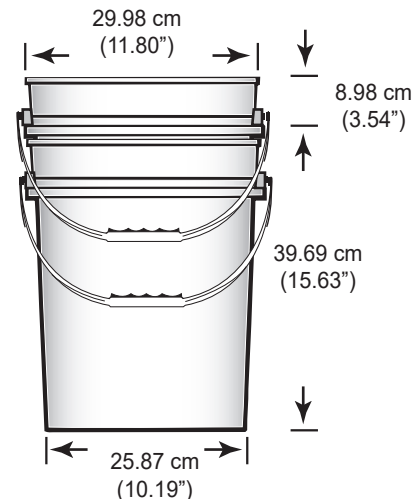
656 GASKET LID



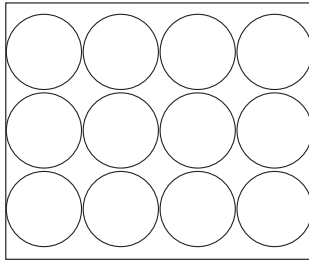
20 LITRE LIGHTWEIGHT CONTAINER



NESTING



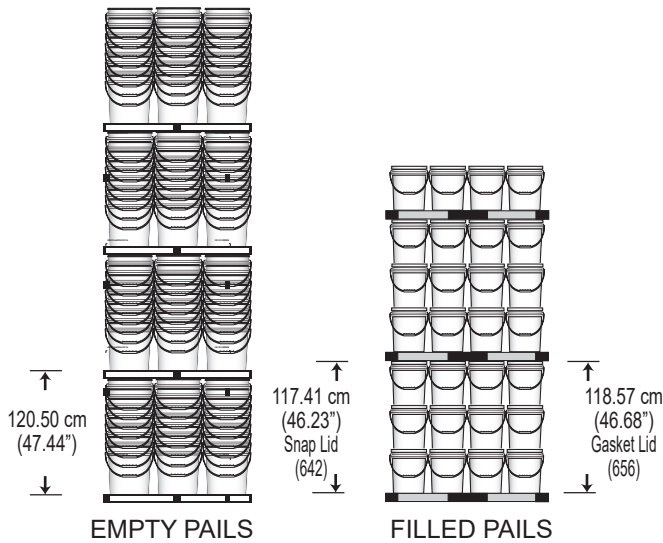
PALLET UTILIZATION



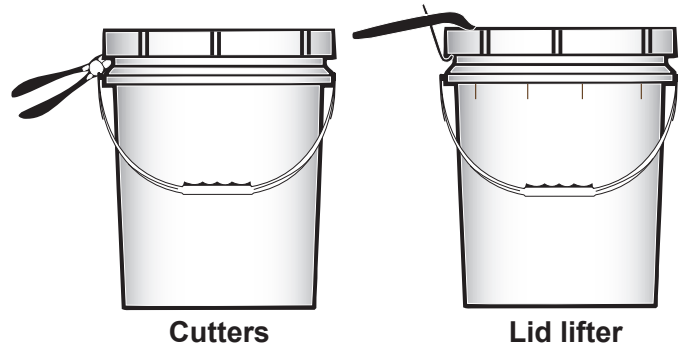
122 cm x 102 cm
(48" x 40")

IMPORTANT: Never let pails overlap edge of pallet

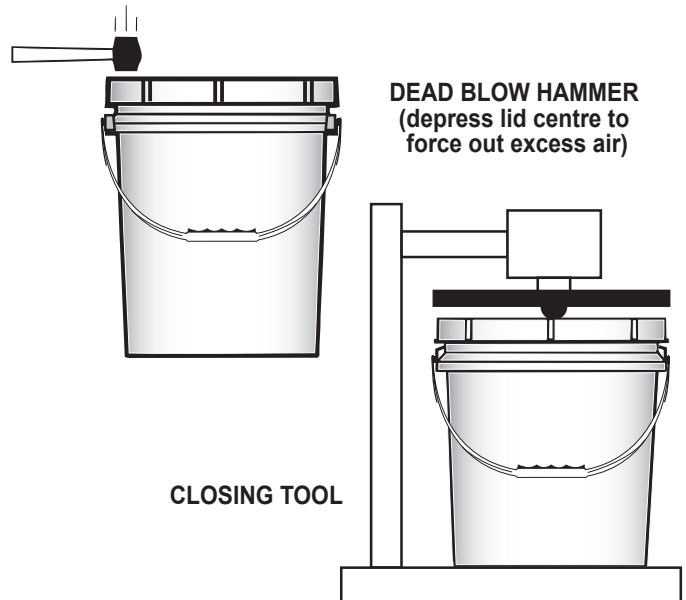
RECOMMENDED STACKING HEIGHT



OPENING

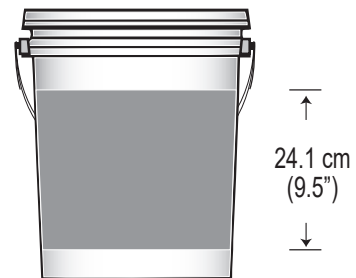


CLOSING



PRINTING

DRY OFFSET PRINTING (UP TO MAXIMUM 4 PANTONE COLORS)



SHIPPING DATA

| Quantity | 745 PAIL | SNAP LID ₆₄₂ | | GASKET LID ₆₅₆ | |
|-------------|--------------------------|--------------------------|--------------------------|---------------------------|--------------------------|
| | 120/pallet | 60/box | 600/plt | 40/box | 240/plt |
| Dimensions* | 49.75" x 37.75" x 47.75" | 25.25" x 12.75" x 19.00" | 49.75" x 37.75" x 36.00" | 25.25" x 12.75" x 19.00" | 49.75" x 37.75" x 18.00" |
| Volume | 51.90 cu. ft. | 3.54 cu. ft. | 39.13 cu. ft. | 3.54 cu. ft. | 19.56 cu. ft. |
| Weight** | 101.58 kg 223.48 lbs | 11.82 kg 26.00 lbs | 111.60 kg 245.52 lbs | 12.09 kg 26.60 lbs | 69.18 kg 152.20 lbs |

* AND ** DOES NOT INCLUDE WOODEN PALLET
*** BASED ON GASKET LID WITHOUT FITTINGS

APPROVALS

Pro-Western Plastics Ltd. disclaims any liability for the use of the information and data contained herein. We reserve the right to alter or modify any product and/or specification, at any time.