



**740
METAL HANDLE
5 U.S. GALLON PAIL**

COMPONENTS

- Material: Food approved high density polyethylene
- Standard Color: White (Other colors on request)
- Metal Handle
- Pour spouts available
- Gasket: EPDM (Ethylene Propylene Diene Monomer)

WALL THICKNESS	cm	inch
• Pail	.231	.091
• Gasket Lid (656)	.196	.077
• Snap On Lid (642)	.170	.067

STANDARD WEIGHT (+/- 2%)	g	lb.
• Pail (with handle)	960	2.11
• Gasket Lid (656)	282	0.62
• Snap-On Lid (642)	184	0.40

THERMAL RESISTANCE (Tested with water)	
• Filling	from -38°C (-36°F) to 82°C (180°F)
• Warehousing	from -40°C (-40°F) to 39°C (102°F)

TOP LOADING RESISTANCE	kg	lb.
• With Gasket Lid	250	550
• With Snap-On Lid	140	308

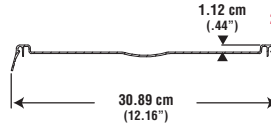
CAPACITIES

VOLUME	Litres	GALLONS	
		Imp.	U.S.
Nominal	18.93	4.16	5.00
Maximum to Overflow	20.74	4.56	5.48
Maximum with Gasket Lid	19.69	4.33	5.20
Maximum with Snap-On Lid	19.84	4.36	5.24

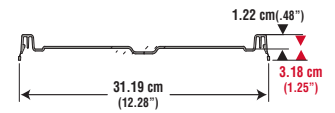
PRODUCT DENSITY g/cm ³	Maximum Weight Filled with Lid			
	GASKET LID		SNAP-ON LID	
	kg	lb	kg	lb
0.5	10.47	23.03	10.48	23.06
0.6	12.56	27.63	12.58	27.67
0.7	14.65	32.24	14.67	32.28
0.8	16.75	36.84	16.77	36.90
0.9	18.84	41.45	18.87	41.51
1.0	20.93	46.05	20.96	46.12
1.1	23.03	50.66	23.06	50.73
1.2	25.12	55.26	25.16	55.34
1.3	27.21	59.87	27.25	59.96
1.4	29.30	64.47	29.35	64.57
1.5	31.40	69.08	31.45	69.18

Above is a guideline only.
Customer should verify with specific product to be packaged.

642 SNAP ON LID

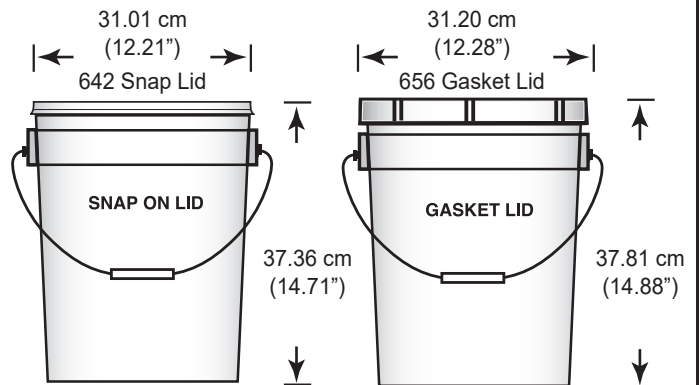


656 GASKET LID

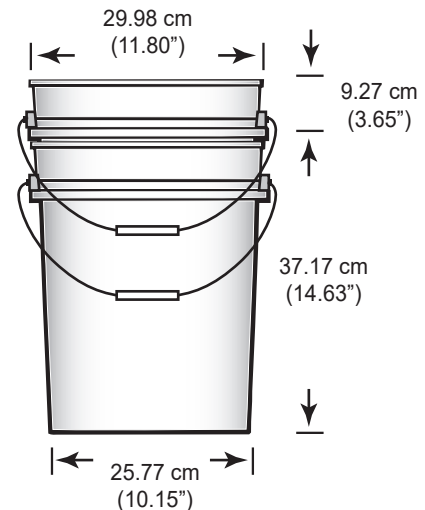


5 U.S. GALLON HEAVY WALL CONTAINER

SMOOTH SURFACE FINISH



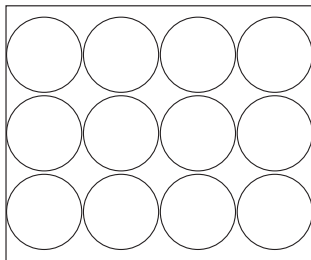
NESTING





**740
METAL HANDLE
5 U.S. GALLON PAIL**

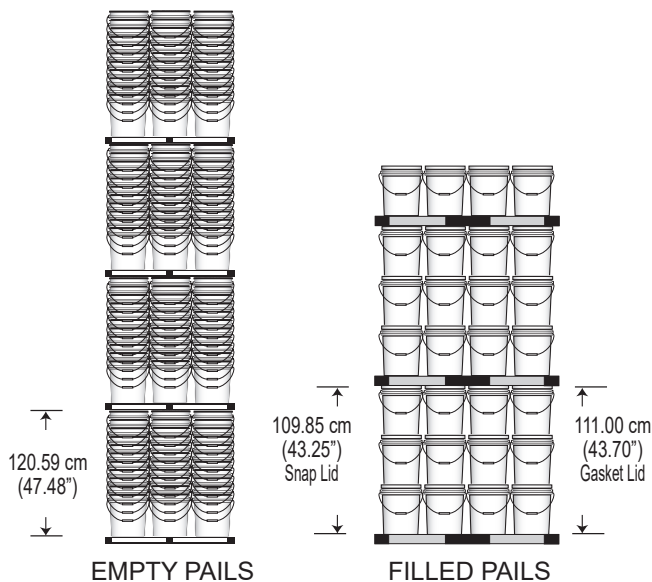
PALLET UTILIZATION



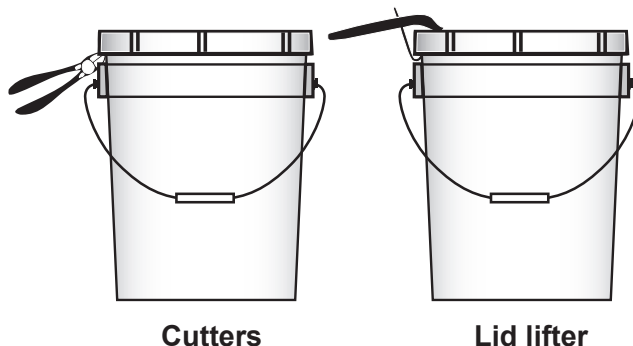
**122 cm x 102 cm
(48" x 40")**

IMPORTANT: Never let pails overlap edge of pallet

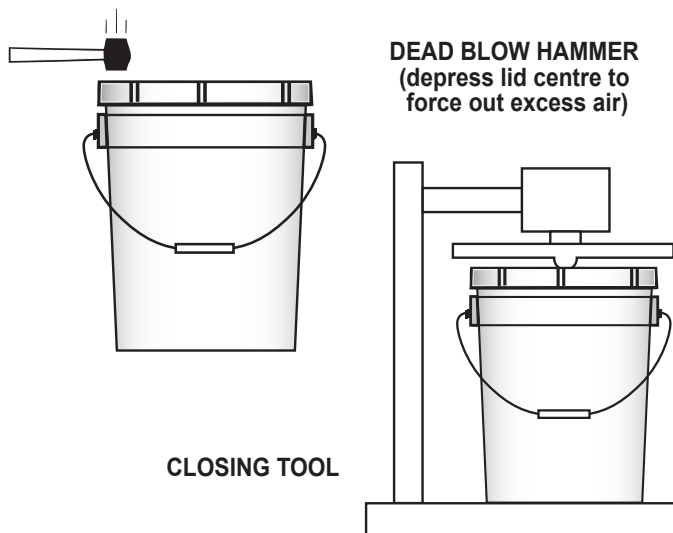
RECOMMENDED STACKING HEIGHT



OPENING

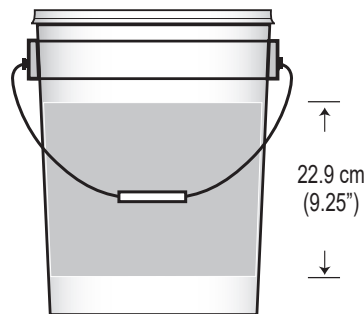


CLOSING



PRINTING

DRY OFFSET PRINTING (UP TO MAXIMUM 4 PANTONE COLORS)



SHIPPING DATA

Quantity	740 PAIL	SNAP LID ⁶⁴²		GASKET LID ⁶⁵⁶	
	120/pallet	60/box	600/plt	40/box	240/plt
Dimensions*	49.75" x 37.75" x 47.75"	25.25" x 12.75" x 19.00"	49.75" x 37.75" x 36.00"	25.25" x 12.75" x 19.00"	49.75" x 37.75" x 18.00"
Volume	51.90 cu. ft.	3.54 cu. ft.	39.13 cu. ft.	3.54 cu. ft.	19.56 cu. ft.
Weight**	116.70 kg 256.74 lbs	11.82 kg 26.00 lbs	111.60 kg 243.54 lbs	12.09 kg 26.60 lbs	69.18 kg 152.20 lbs

* AND ** DOES NOT INCLUDE WOODEN PALLET
*** BASED ON GASKET LID WITHOUT FITTINGS

APPROVALS

Pro-Western Plastics Ltd. disclaims any liability for the use of the information and data contained herein. We reserve the right to alter or modify any product and/or specification, at any time.