



COMPONENTS

- Material: Food approved high density polyethylene
- Standard Color: White (Other colors on request)
- Plastic Fingergrasp Handle
- Pour spouts available
- Gasket: EPDM (Ethylene Propylene Diene Monomer)

WALL THICKNESS

| | cm | inch |
|---------------------|------|------|
| • Pail | .185 | .073 |
| • Gasket Lid (656) | .196 | .077 |
| • Snap-On Lid (642) | .170 | .067 |

STANDARD WEIGHT (+/- 2%)

| | g | lb. |
|----------------------|-----|------|
| • Pail (with handle) | 618 | 1.36 |
| • Gasket Lid (656) | 282 | 0.62 |
| • Snap On Lid (642) | 184 | 0.40 |

THERMAL RESISTANCE (Tested with water)

- Filling from 38°C (-36°F) to 82°C (180°F)
- Warehousing from -40°C (-40°F) to 39°C (102°F)

TOP LOADING RESISTANCE

| | kg | lb. |
|--------------------|-----|-----|
| • With Gasket Lid | 250 | 550 |
| • With Snap On Lid | 139 | 306 |

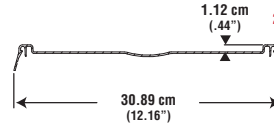
CAPACITIES

| VOLUME | Litres | GALLONS | |
|--------------------------|--------|---------|------|
| | | Imp. | U.S. |
| Nominal | 13.25 | 2.91 | 3.50 |
| Maximum to Overflow | 14.88 | 3.27 | 3.93 |
| Maximum with Gasket Lid | 13.83 | 3.04 | 3.65 |
| Maximum with Snap-On Lid | 13.98 | 3.07 | 3.69 |

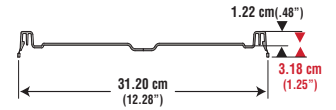
| PRODUCT DENSITY g/cm ³ | Maximum Weight Filled with Lid | | | |
|--------------------------------------|--------------------------------|-------|-------------|-------|
| | GASKET LID | | SNAP-ON LID | |
| | kg | lb | kg | lb |
| 0.5 | 7.36 | 16.20 | 7.39 | 16.26 |
| 0.6 | 8.84 | 19.44 | 8.87 | 19.51 |
| 0.7 | 10.31 | 22.68 | 10.35 | 22.76 |
| 0.8 | 11.78 | 25.92 | 11.82 | 26.01 |
| 0.9 | 13.26 | 29.16 | 13.30 | 29.26 |
| 1.0 | 14.73 | 32.40 | 14.78 | 32.51 |
| 1.1 | 16.20 | 35.64 | 16.26 | 35.77 |
| 1.2 | 17.67 | 38.88 | 17.74 | 39.02 |
| 1.3 | 19.15 | 42.12 | 19.21 | 42.27 |
| 1.4 | 20.62 | 45.36 | 20.69 | 45.52 |
| 1.5 | 22.09 | 48.60 | 22.17 | 48.78 |

Above is a guideline only.
Customer should verify with specific product to be packaged.

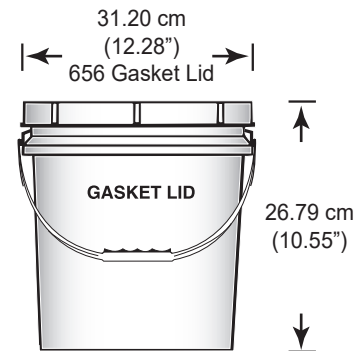
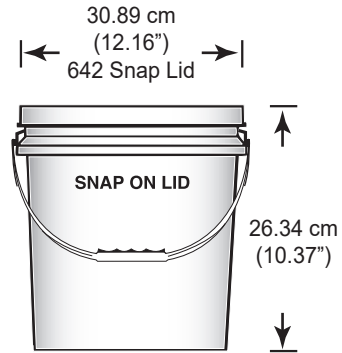
642 SNAP ON LID



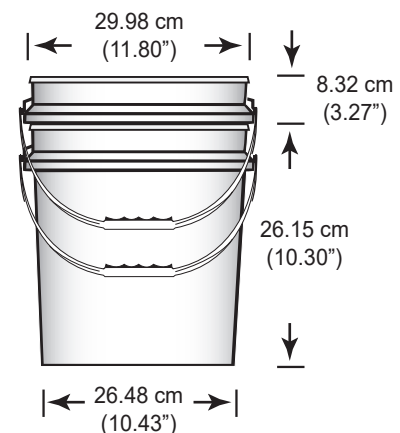
656 GASKET LID



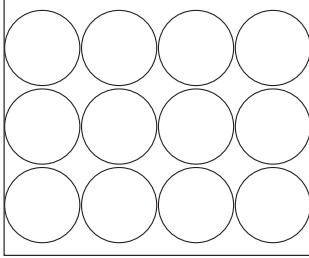
3.5 U.S. GALLON HEAVY WALL CONTAINER



NESTING



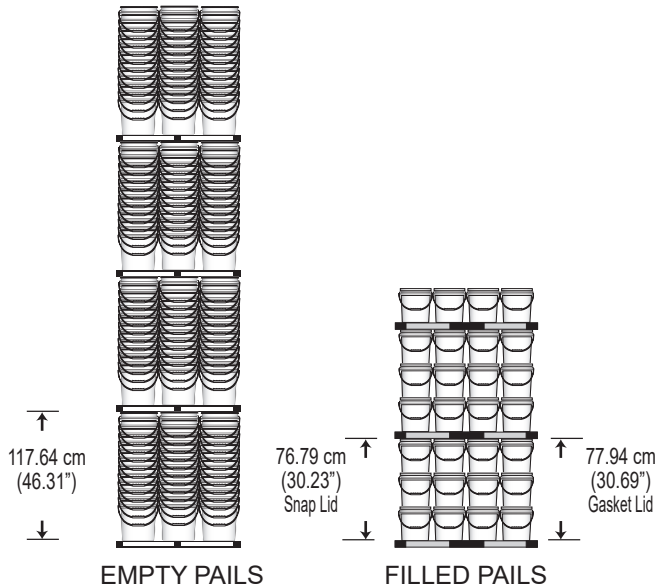
PALLET UTILIZATION



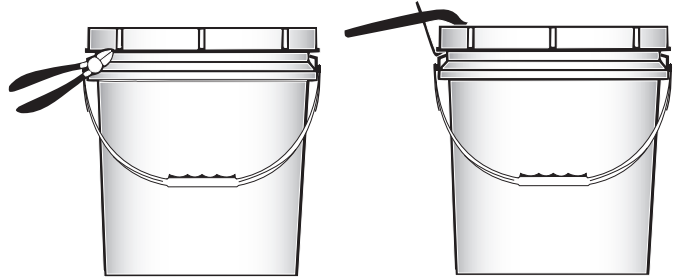
122 cm x 102 cm
(48" x 40")

IMPORTANT: Never let pails overlap edge of pallet

RECOMMENDED STACKING HEIGHT



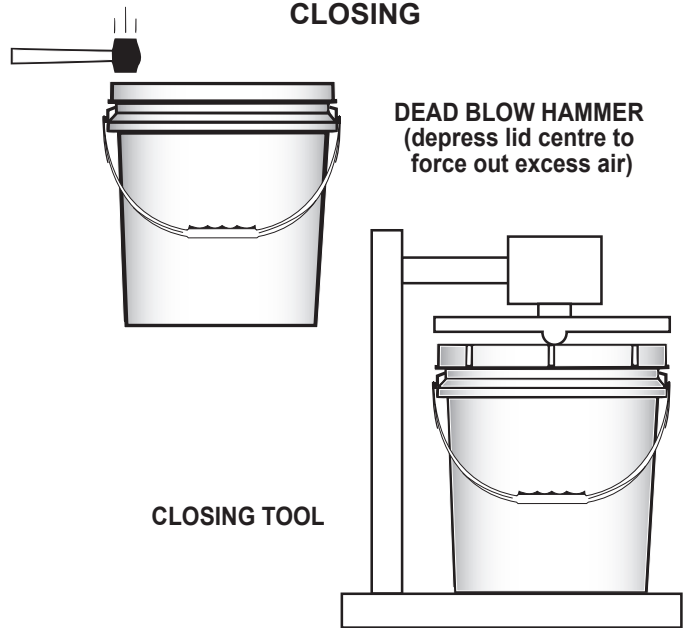
OPENING



Cutters

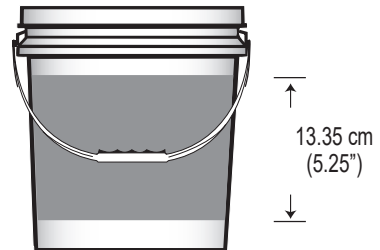
Lid lifter

CLOSING



PRINTING

DRY OFFSET PRINTING (UP TO MAXIMUM 4 PANTONE COLORS)



SHIPPING DATA

| Quantity | 727 PAIL | SNAP LID ⁶⁴² | | GASKET LID ⁶⁵⁶ | |
|-------------|--------------------------|--------------------------|--------------------------|---------------------------|--------------------------|
| | 144/pallet | 60/box | 600/plt | 40/box | 240/plt |
| Dimensions* | 49.75" x 37.75" x 46.75" | 25.25" x 12.75" x 19.00" | 49.75" x 37.75" x 36.00" | 25.25" x 12.75" x 19.00" | 49.75" x 37.75" x 18.00" |
| Volume | 50.81 cu. ft. | 3.54 cu. ft. | 39.13 cu. ft. | 3.54 cu. ft. | 19.56 cu. ft. |
| Weight** | 90.49 kg 199.08 lbs | 11.82 kg 26.00 lbs | 111.60 kg 245.52 lbs | 12.09 kg 26.69 lbs | 69.18 kg 152.20 lbs |

* AND ** DOES NOT INCLUDE WOODEN PALLET
*** BASED ON GASKET LID WITHOUT FITTINGS

APPROVALS

Pro-Western Plastics Ltd. disclaims any liability for the use of the information and data contained herein. We reserve the right to alter or modify any product and/or specification, at any time.