



COMPONENTS

- Material: Food approved high density polyethylene
- Standard Color: White (Other colors on request)

| WALL THICKNESS | cm | inch |
|------------------|------|------|
| • Pail | .130 | .051 |
| • Drop Lid (616) | .114 | .045 |

| STANDARD WEIGHT (+/- 2%) | g | lb. |
|--------------------------|-----|------|
| • Pail | 324 | 0.71 |
| • Drop Lid (616) | 73 | 0.16 |

THERMAL RESISTANCE (Tested with water)

- Filling from 38°C (-36°F) to 82°C (180°F)
- Warehousing from -40°C (-40°F) to 39°C (102°F)

CAPACITIES

| VOLUME | Litres | GALLONS | |
|-----------------------|--------|---------|------|
| | | Imp. | U.S. |
| Nominal | 11.40 | 2.51 | 3.01 |
| Maximum to Overflow | 11.78 | 2.59 | 3.11 |
| Maximum with Drop Lid | 11.48 | 2.52 | 3.03 |

| PRODUCT DENSITY g/cm ³ | Maximum Weight Filled with Lid | |
|--------------------------------------|--------------------------------|-------|
| | DROP LID | |
| | kg | lb |
| 0.5 | 5.94 | 13.06 |
| 0.6 | 7.12 | 15.67 |
| 0.7 | 8.31 | 18.28 |
| 0.8 | 9.50 | 20.89 |
| 0.9 | 10.68 | 23.51 |
| 1.0 | 11.87 | 26.12 |
| 1.1 | 13.06 | 28.73 |
| 1.2 | 14.25 | 31.34 |
| 1.3 | 15.43 | 33.95 |
| 1.4 | 16.62 | 36.56 |
| 1.5 | 17.81 | 39.18 |

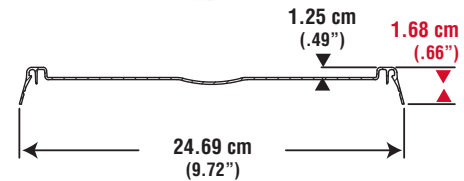
Above is a guideline only.
Customer should verify with specific product to be packaged.

SHIPPING DATA

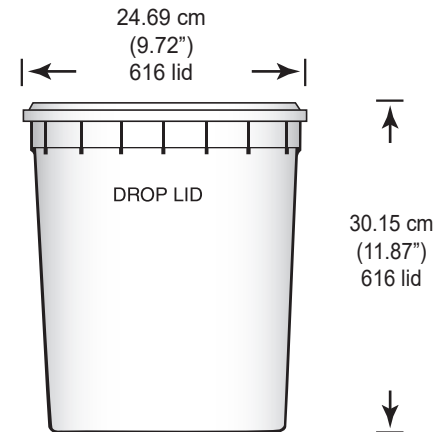
| | 722 PAIL | 616 LID |
|---------------------------|-----------------------------|-----------------------------|
| Quantity | 320/pallet | 184/box |
| Dimensions* | 50.50" x 40.00" x 44.25" | 23.50" x 20.25" x 20.25" |
| Volume | 51.73 cu. ft. | 5.58 cu. ft. |
| Weight** (with handle) | 111.98 kg 246.36 lbs | 14.59 kg 32.10 lbs |

* Dimensions do not include wooden pallet (with pallet +4.5 inches)
** Weight does not include wooden pallet (with pallet +11.0 kg)

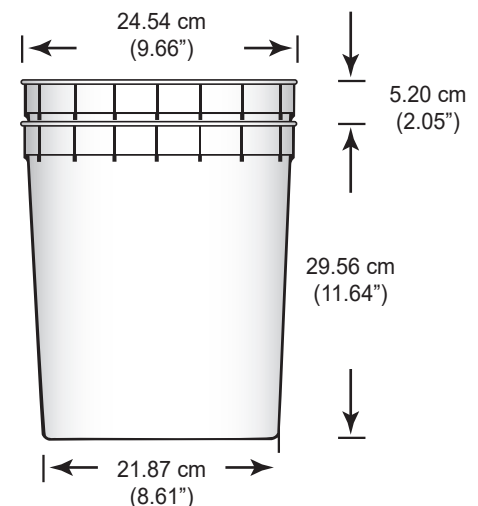
616 DROP LID



11.4 LITRE DAIRY CONTAINER



NESTING



APPROVALS

Pro-Western Plastics Ltd. disclaims any liability for the use of the information and data contained herein. We reserve the right to alter or modify any product and/or specification, at any time.