



**COMPONENTS**

- Material: Food approved high density polyethylene
- Standard Color: White (Other colors on request)

WALL THICKNESS	cm	inch
• Pail	.102	.040
• Drop Lid (616)	.114	.045

STANDARD WEIGHT (+/- 2%)	g	lb.
• Pail	154	0.34
• Drop Lid (616)	73	0.16

**THERMAL RESISTANCE (Tested with water)**

- Filling from 38°C (-36°F) to 82°C (180°F)
- Warehousing from -40°C (-40°F) to 39°C (102°F)

**CAPACITIES**

VOLUME	Litres	GALLONS	
		Imp.	U.S.
Nominal	5.70	1.25	1.51
Maximum to Overflow	6.02	1.32	1.59
Maximum with Drop Lid	5.72	1.26	1.51

PRODUCT DENSITY g/cm <sup>3</sup>	Maximum Weight Filled with Lid	
	DROP LID	
	kg	lb
0.5	2.97	6.54
0.6	3.57	7.85
0.7	4.16	9.16
0.8	4.76	10.47
0.9	5.35	11.77
1.0	5.95	13.08
1.1	6.54	14.39
1.2	7.14	15.70
1.3	7.73	17.01
1.4	8.33	18.32
1.5	8.92	19.62

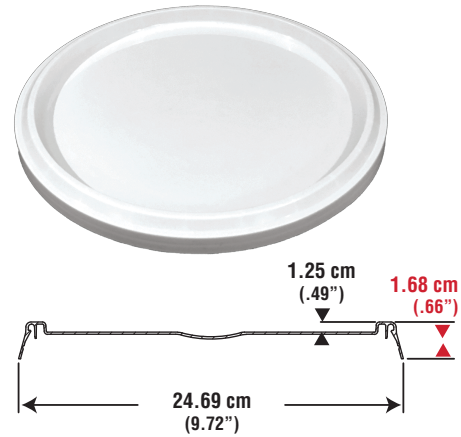
Above is a guideline only.  
Customer should verify with specific product to be packaged.

**SHIPPING DATA**

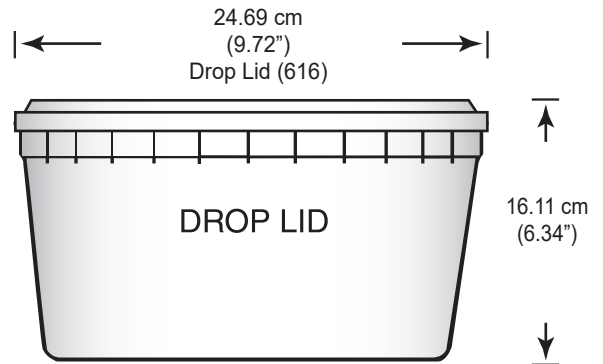
Quantity	714 PAIL		616 DROP LID
	600/pallet	64/box	184/box
Dimensions*	50.50" x 40.00" x 44.25"	20.25" x 20.25" x 27.00"	23.50" x 20.25" x 20.25"
Volume	51.73 cu. ft.	6.41 cu. ft.	5.58 cu. ft.
Weight**	100.70 kg 221.54 lbs	11.06 kg 24.33 lbs	14.59 kg 32.10 lbs

\* Dimensions do not include wooden pallet (with pallet +4.5 inches)  
\*\* Weight does not include wooden pallet (with pallet +11.0 kg)

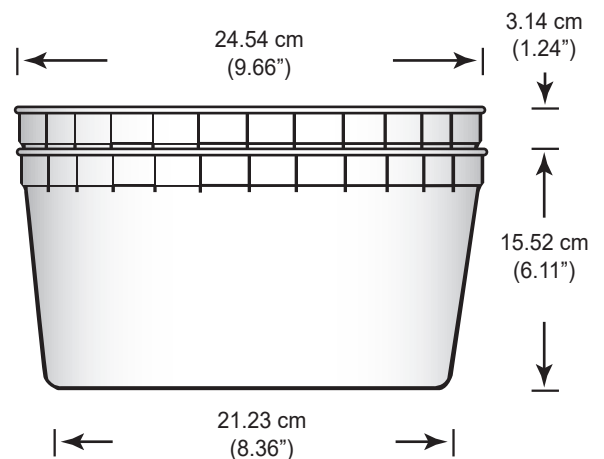
**616 DROP LID**



**5.7 LITRE DAIRY CONTAINER**



**NESTING**



**APPROVALS**

Pro-Western Plastics Ltd. disclaims any liability for the use of the information and data contained herein. We reserve the right to alter or modify any product and/or specification, at any time.