

**COMPONENTS**

- Material: Food approved high density polyethylene
- Standard Color: White (Other colors on request)
- Plastic Handle

WALL THICKNESS	cm	inch
• Pail	.086	.034
• Drop Lid (611)	.089	.035

STANDARD WEIGHT (+/- 2%)	g	lb.
• Pail (including handle)	105	0.23
• Pail (without handle)	99	0.22
• Drop Lid (611)	38	0.08

- THERMAL RESISTANCE** (Tested with water)
- Filling from -38°C (-36°F) to 82°C (180°F)
  - Warehousing from -40°C (-40°F) to 39°C (102°F)

**CAPACITIES**

VOLUME	Litres	GALLONS	
		Imp.	U.S.
Nominal	4.00	0.88	1.06
Maximum to Overflow	4.08	0.90	1.08
Maximum with Drop Lid	4.00	0.88	1.06

PRODUCT DENSITY g/cm <sup>3</sup>	Maximum Weight Filled with Lid	
	DROP LID	
	kg	lb
0.5	2.07	4.56
0.6	2.49	5.47
0.7	2.90	6.38
0.8	3.31	7.29
0.9	3.73	8.20
1.0	4.14	9.11
1.1	4.56	10.03
1.2	4.97	10.94
1.3	5.39	11.85
1.4	5.80	12.76
1.5	6.21	13.67

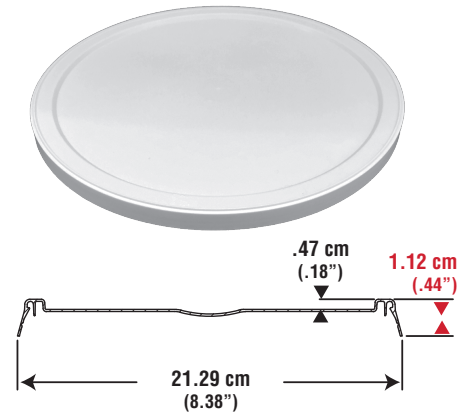
Above is a guideline only.  
Customer should verify with specific product to be packaged.

**SHIPPING DATA**

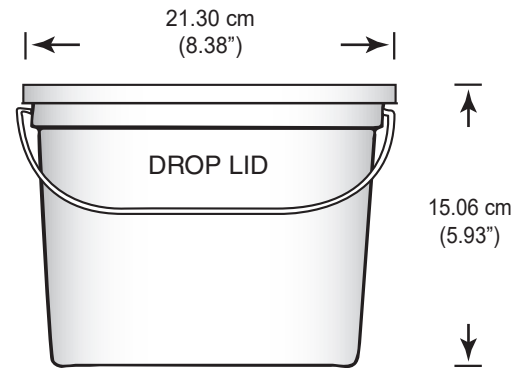
	711 PAIL	711 PAIL	611 LID
<b>Quantity</b>	1104/pallet	120/box	220/box
<b>Dimensions*</b>	50.50" x 35.50" x 50.50"	18.25" x 18.25" x 33.50"	23.25" x 18.00" x 18.00"
<b>Volume</b>	52.39 cu. ft.	6.46 cu. ft.	4.36 cu. ft.
<b>Weight** (with handle)</b>	125.09 kg 275.20 lbs	13.70 kg 30.14 lbs	9.61 kg 21.14 lbs

\* AND \*\* INCLUDES CORRUGATED PALLET

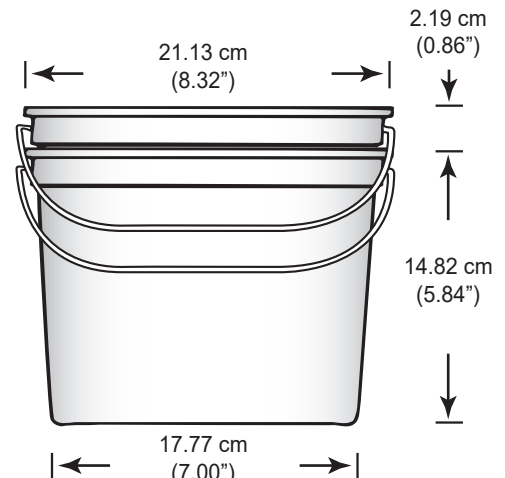
**611 DROP LID**



**4 LITRE DAIRY CONTAINER**



**NESTING**



**APPROVALS**

Pro-Western Plastics Ltd. disclaims any liability for the use of the information and data contained herein. We reserve the right to alter or modify any product and/or specification, at any time.