

COMPONENTS

- Material: Food approved high density polyethylene
- Standard Color: White (Other colors on request)
- Plastic Handle
- Gasket: EPDM (Ethylene Propylene Diene Monomer)

WALL THICKNESS	cm	inch
• Pail	.145	.057
• Gasket Tear Tab Lid (621)	.135	.053
• Snap-On Tear Tab Lid (622)	.142	.056

STANDARD WEIGHT (+/- 2%)	g	lb.
• Pail (including handle)	243	.53
• Gasket Lid (621- including gasket)	87	.19
• Snap-On Tear Tab Lid (622)	71	.16

THERMAL RESISTANCE (Tested with water)

• Filling	from 38°C (-36°F) to 82°C (180°F)
• Warehousing	from -40°C (-40°F) to 39°C (102°F)

TOP LOADING RESISTANCE	kg	lb.
• With Gasket Lid (621)	95	209
• With Snap-On Lid (622)	100	220

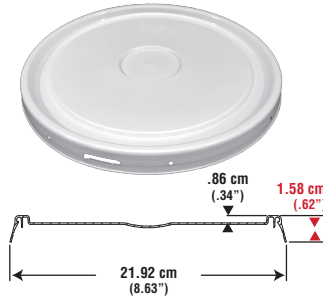
CAPACITIES

VOLUME	Litres	GALLONS	
		Imp.	U.S.
Nominal	4.55	1.00	1.20
Maximum to Overflow	5.46	1.20	1.44
Maximum with Gasket Lid	5.06	1.11	1.34
Maximum with Snap-On Lid	5.16	1.13	1.36

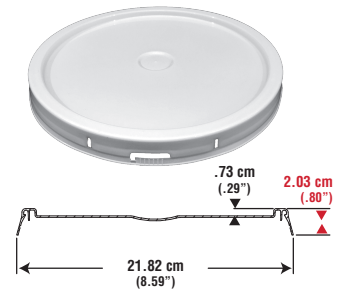
PRODUCT DENSITY g/cm ³	Maximum Weight Filled with Lid			
	GASKET		SNAP-ON	
	kg	lb	kg	lb
0.5	2.69	5.92	2.74	6.02
0.6	3.23	7.11	3.28	7.22
0.7	3.77	8.29	3.83	8.42
0.8	4.31	9.48	4.38	9.63
0.9	4.85	10.66	4.92	10.83
1.0	5.39	11.85	5.47	12.03
1.1	5.92	13.03	6.02	13.24
1.2	6.46	14.22	6.56	14.44
1.3	7.00	15.40	7.11	15.64
1.4	7.54	16.59	7.66	16.85
1.5	8.08	17.77	8.21	18.05

Above is a guideline only.
Customer should verify with specific product to be packaged.

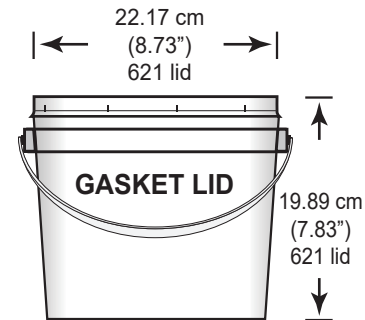
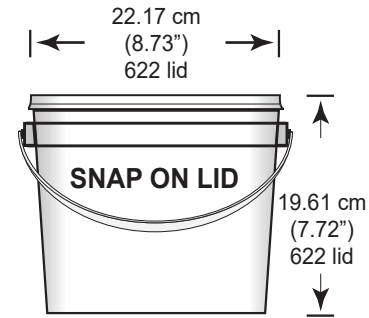
622 SNAP ON LID



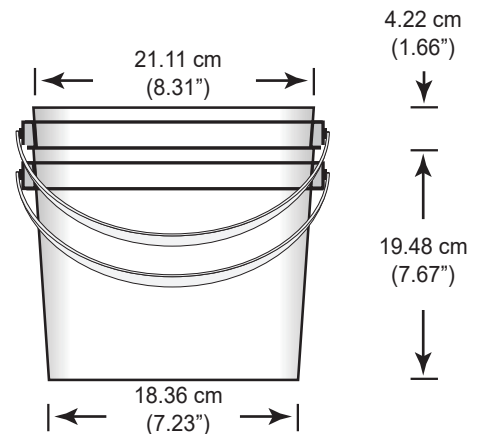
621 GASKET LID



HEAVY DUTY 1 IMPERIAL GALLON

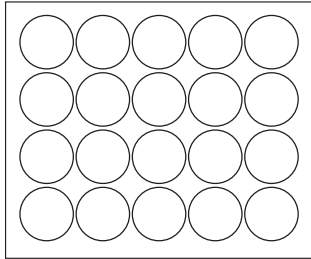


NESTING





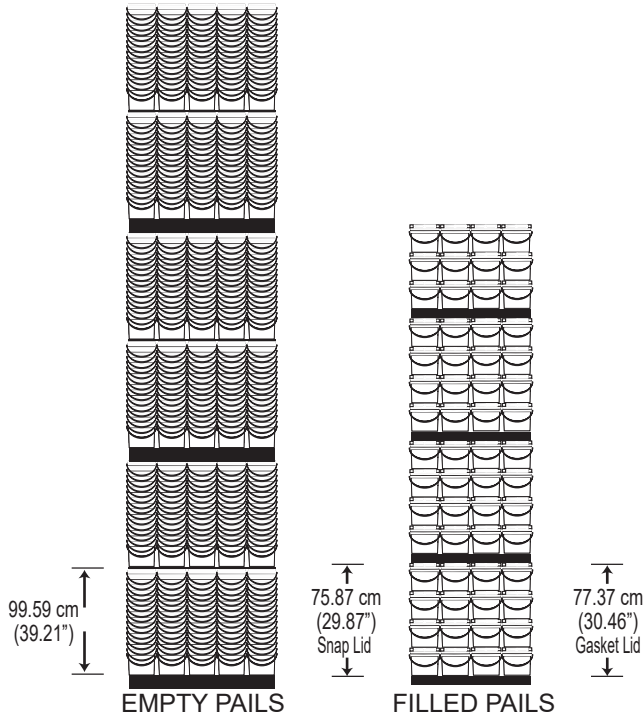
PALLET UTILIZATION



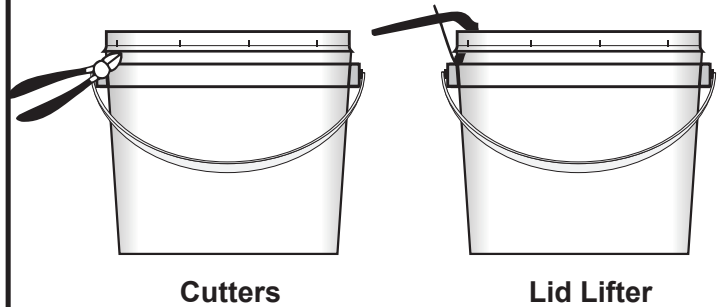
**122 cm x 102 cm
(48" x 40")**

IMPORTANT: Never let pails overlap edge of pallet

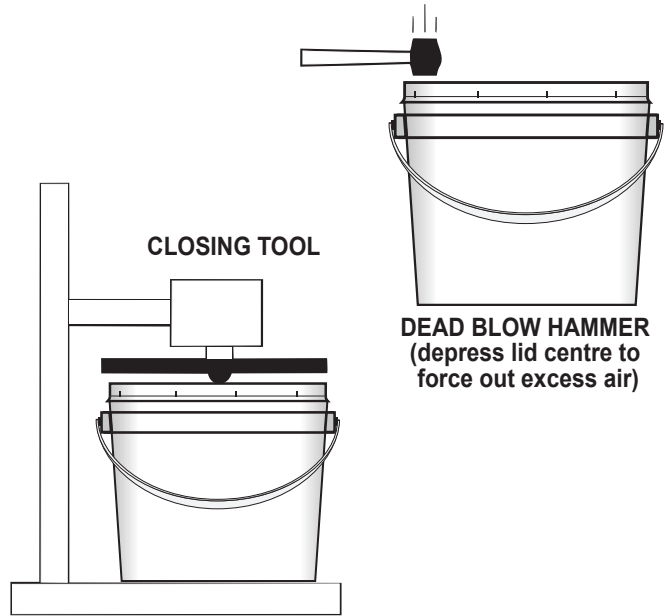
RECOMMENDED STACKING HEIGHT



OPENING

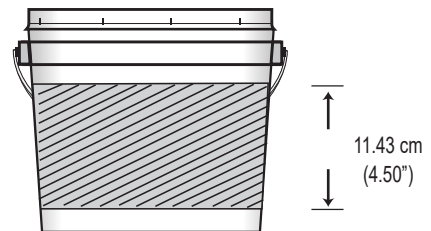


CLOSING



PRINTING

DRY OFFSET PRINTING (UP TO MAXIMUM 4 PANTONE COLORS)



SHIPPING DATA

	710 PAIL	SNAP TT (622)	SNAP TT (622)	GASKET TT (621)	PAIL & LID (710 PKG)
Quantity	540/pallet	180/box	1440/pallet	180/box	50/box (622 Snap)
Dimensions*	50.50" x 42.50" x 39.50"	24.00" x 20.00" x 11.75"	49.75" x 38.00" x 19.25"	24.00" x 20.00" x 19.00"	18.25" x 18.25" x 32.25"
Volume	49.06 cu. ft.	3.26 cu. ft.	21.06 cu. ft.	5.28 cu. ft.	6.22 cu. ft.
Weight**	133.22 kg 293.08 lbs	13.73 kg 30.20 lbs	103.74 kg 228.23 lbs	16.71 kg 36.76 lbs	16.80 kg 36.96 lbs

* AND ** DOES NOT INCLUDE WOODEN PALLET

APPROVALS

Pro-Western Plastics Ltd. disclaims any liability for the use of the information and data contained herein. We reserve the right to alter or modify any product and/or specification, at any time.