



COMPONENTS

- Material: Food approved high density polyethylene
- Standard Color: White (Other colors on request)
- Plastic Handle with Finger Grip
- Gasket: EPDM (Ethylene Propylene Diene Monomer)

WALL THICKNESS

	cm	inch
• Pail	.191	.075
• Gasket Lid TT (633)	.162	.064
• Snap On TT Lid (632)	.163	.064
• Snap On Lid (631)	.159	.063

STANDARD WEIGHT (+/- 2%)

	g	lb.
• Pail (including handle)	777	1.71
• Gasket Lid TT (633) includes gasket	168	0.37
• Snap-On TT Lid (632)	152	0.33
• Snap-On Lid (631)	129	0.28

THERMAL RESISTANCE (Tested with water)

• Filling	from -38°C (-36°F) to 82°C (180°F)
• Warehousing	from -40°C (-40°F) to 39°C (102°F)

TOP LOADING RESISTANCE

	kg	lb.
• With Gasket TT Lid	70	154
• With Snap-On TT Lid	70	154
• With Snap-On Lid	70	154

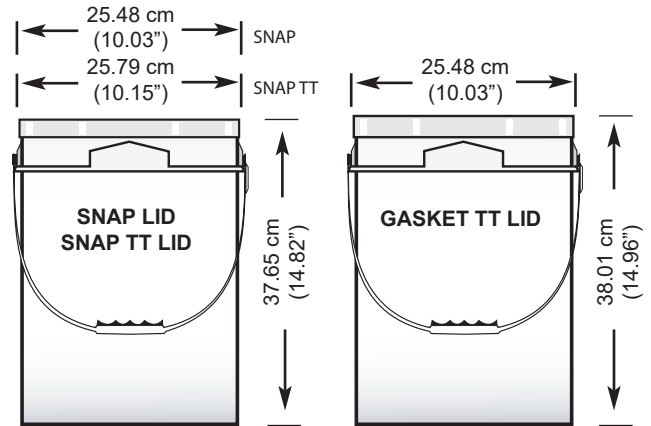
CAPACITIES

VOLUME	Litres	GALLONS	
		Imp.	U.S.
Nominal	16.00	3.52	4.23
Maximum to Overflow	18.29	4.02	4.83
Maximum with Gasket TT Lid	17.79	3.91	4.70
Maximum with Snap-On TT Lid	17.59	3.87	4.65
Maximum with Snap-On Lid	17.49	3.85	4.62

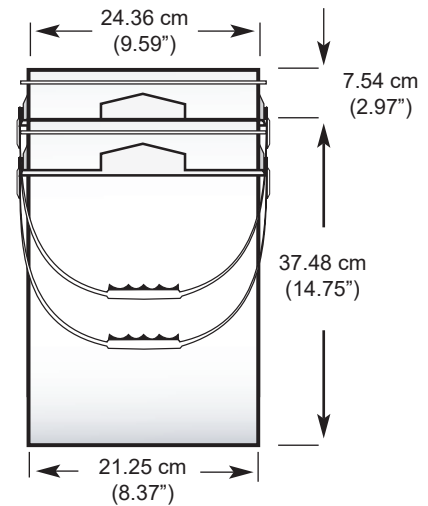
PRODUCT DENSITY g/cm ³	Maximum Weight Filled with Lid					
	GASKET TT LID		SNAP ON TT LID		SNAP ON LID	
	kg	lb	kg	lb	kg	lb
0.5	9.37	20.61	9.26	20.37	9.20	20.24
0.6	11.24	24.73	11.11	24.45	11.04	24.28
0.7	13.11	28.85	12.96	28.52	12.88	28.33
0.8	14.99	32.97	14.82	32.59	14.72	32.38
0.9	16.86	37.10	16.67	36.67	16.56	36.42
1.0	18.74	41.22	18.52	40.74	18.40	40.47
1.1	20.61	45.34	20.37	44.82	20.24	44.52
1.2	22.48	49.46	22.22	48.89	22.07	48.56
1.3	24.36	53.58	24.07	52.96	23.91	52.61
1.4	26.23	57.70	25.93	57.04	25.75	56.66
1.5	28.10	61.83	27.78	61.11	27.59	60.71

Above is a guideline only.
Customer should verify with specific product to be packaged.

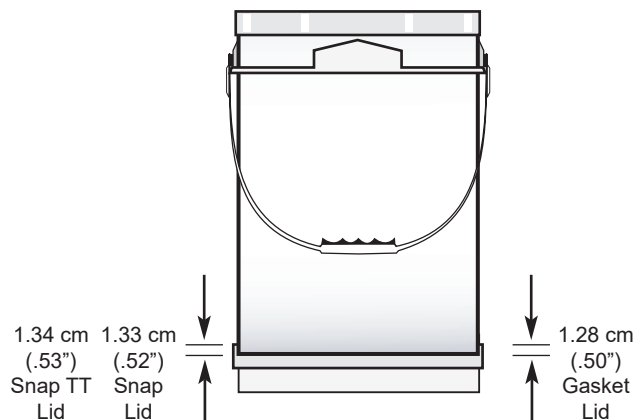
16 LITRE SQUARE CONTAINER



NESTING

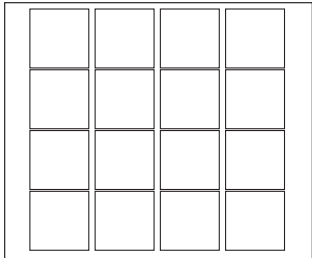


STACKING





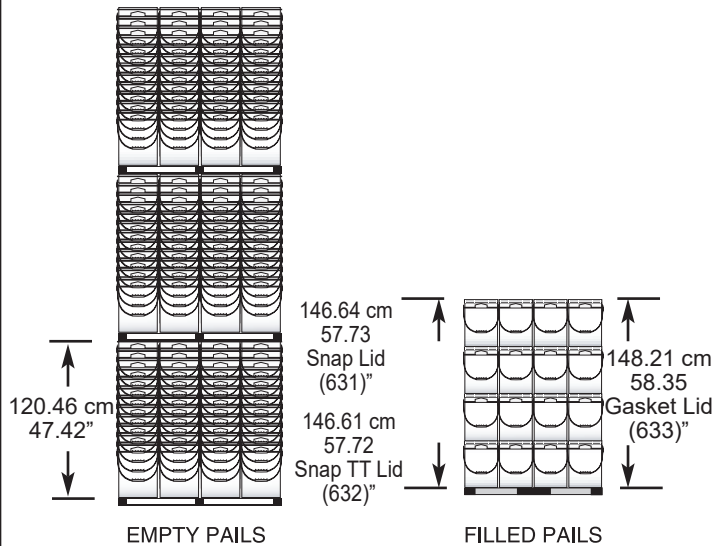
MAXIMUM PALLET UTILIZATION



122 cm x 102 cm
(48" x 40")

IMPORTANT: Never let pails overlap edge of pallet

RECOMMENDED STACKING HEIGHT

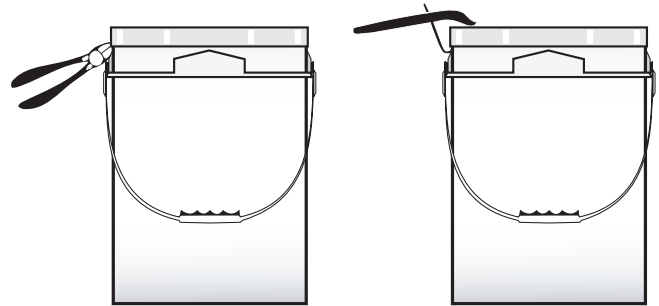


SHIPPING DATA

	432 Square	SNAP LID 631	SNAP TT LID 632	SNAP TT LID 632	GASKET LID 633
Quantity	240/pallet	120/box	80/box	1200/pallet	80/box
Dimensions*	52.50" x 42.50" x 48.00"	20.25" x 10.25" x 29.00"	20.25" x 10.25" x 24.75"	52.50" x 42.50" x 13.00"	20.25" x 10.25" x 24.75"
Volume	61.98 cu. ft.	3.48 cu. ft.	2.97 cu. ft.	16.79 cu. ft.	2.97 cu. ft.
Weight**	188.06 kg 413.73 lbs	16.27 kg 35.79 lbs	12.86 kg 28.29 lbs	183.98 kg 404.76 lbs	14.14 kg 31.11 lbs

* and ** Does not include wooden pallet

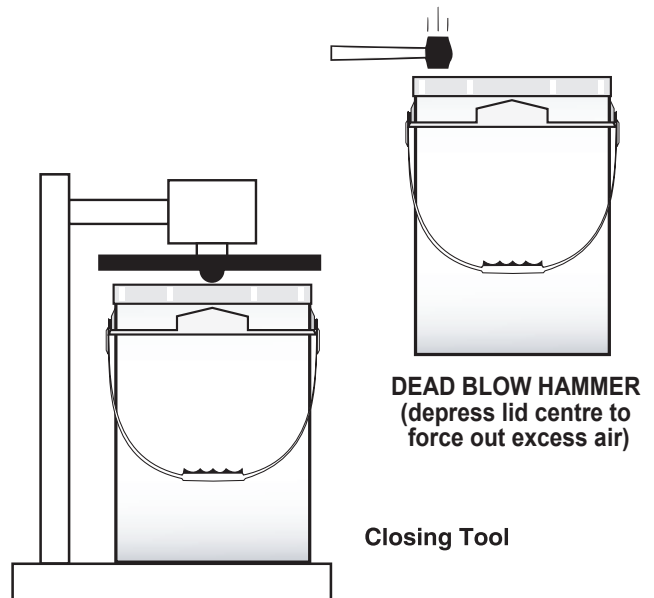
OPENING



Cutters

Lid lifter

CLOSING



DEAD BLOW HAMMER
(depress lid centre to
force out excess air)

Closing Tool

DECORATION

Printing not available at this time

APPROVALS

Pro-Western Plastics Ltd. disclaims any liability for the use of the information & data contained herein. We reserve the right to alter or modify any product &/or specification, at any time.