



COMPONENTS

- Material: Food approved high density polyethylene
- Standard Color: White, Natural
(Other colours on request)

WALL THICKNESS

- | | | |
|---------------------|------|------|
| | cm | inch |
| • Container | .137 | .054 |
| • Snap-On Lid (603) | .135 | .053 |

STANDARD WEIGHT (+/- 2%)

- | | | |
|---------------------|-----|-----|
| | g | lb. |
| • Container | 177 | .39 |
| • Snap-On Lid (603) | 94 | .21 |

THERMAL RESISTANCE (Tested with water)

- Filling from 38°C (-36°F) to 82°C (180°F)
- Warehousing from -40°C (-40°F) to 39°C (102°F)

TOP LOADING RESISTANCE

- | | | |
|--------------------------|----|-----|
| | kg | lb. |
| • With Snap-On Lid (603) | 31 | 68 |

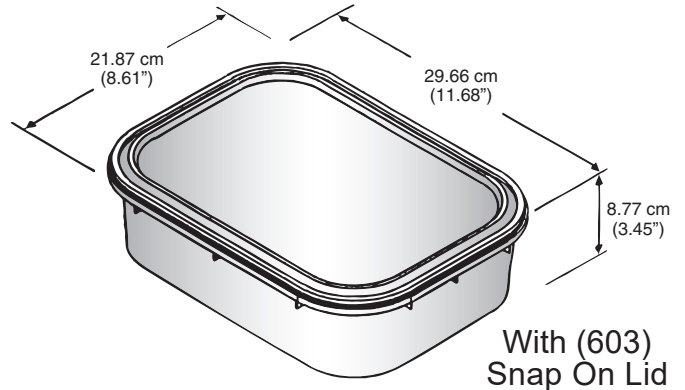
CAPACITIES

VOLUME	Litres	GALLONS	
		Imp.	U.S.
Nominal	3.00	.66	0.79
Maximum to Overflow	4.13	.91	1.09
Maximum with Snap-On Lid	3.83	.84	1.01

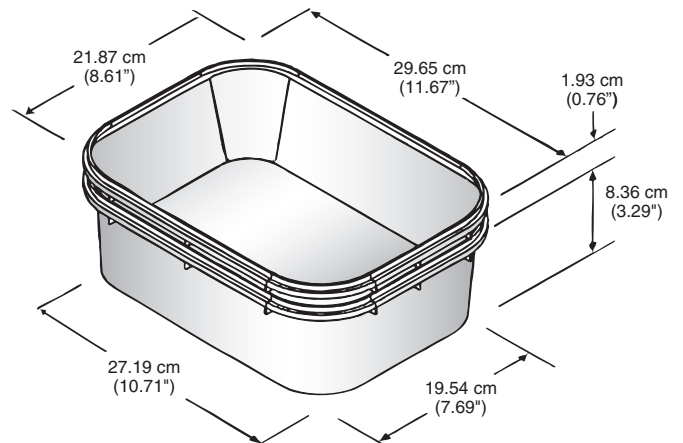
PRODUCT DENSITY g/cm ³	Maximum Weight Filled with Lid Snap On	
	kg	lb
0.5	2.05	4.51
0.6	2.46	5.41
0.7	2.87	6.32
0.8	3.28	7.22
0.9	3.69	8.12
1.0	4.10	9.02
1.1	4.51	9.92
1.2	4.92	10.83
1.3	5.33	11.73
1.4	5.74	12.63
1.5	6.15	13.53

Above is a guideline only.
Customer should verify with specific product to be packaged.

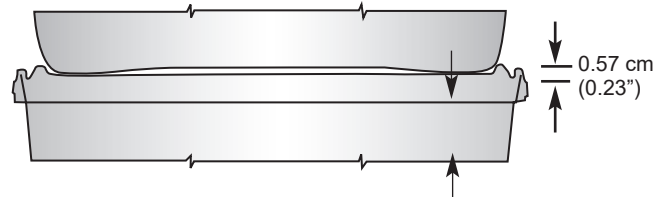
**TAMPER EVIDENT
RECTANGULAR CONTAINER**



NESTING

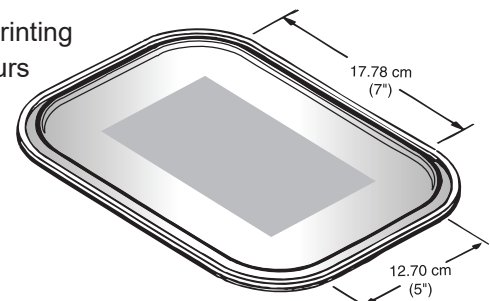


STACKING

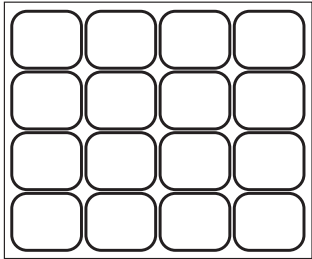


PRINTING

Dry Offset Printing
up to 4 colours



MAXIMUM PALLET UTILIZATION



122 cm x 102 cm
(48" x 40")

IMPORTANT: Never let pails overlap edge of pallet

SHIPPING DATA

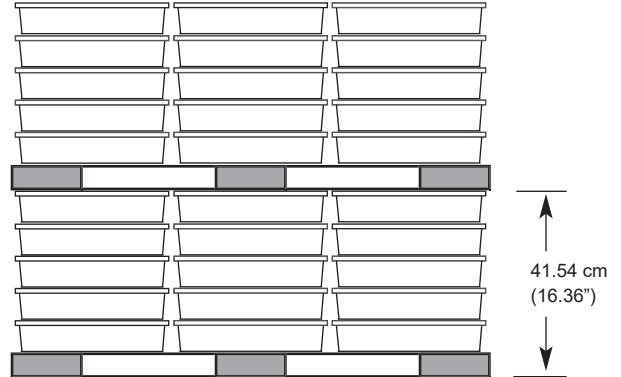
	403 CONTAINER	SNAP ON LID (603)
Quantity	720/pallet	1440/pallet
Dimensions*	50.50" x 35.50" x 37.00"	50.50" x 35.50" x 21.00"
Volume	38.39 cu. ft.	21.79 cu. ft.
Weight**	129.14 kg 284.11 lbs	137.06 kg 301.53 lbs

* AND ** DOES NOT INCLUDE WOODEN PALLET

APPROVALS

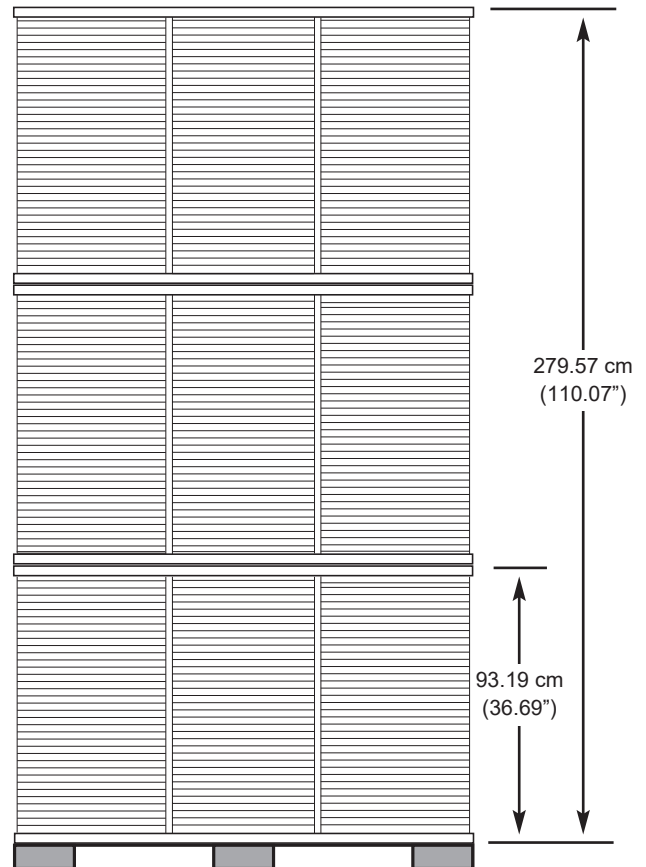
Pro-Western Plastics Ltd. disclaims any liability for the use of the information & data contained herein. We reserve the right to alter or modify any product &/or specification, at any time.

RECOMMENDED STACKING HEIGHT



Filled Containers

Maximum: 10 high
5 containers high per pallet



Empty Containers

IMPORTANT:
Never let container overlap the edge of the pallet