



### COMPONENTS

- Material: Food approved high density polyethylene
- Standard Color: White (Other colors on request)
- Molded in plastic hand grip
- Pour spouts available
- Gasket: SBR (Styrene-Butadiene Rubber)

### WALL THICKNESS

	cm	inch
• Pail	.206	.081
• Gasket Lid (652) includes gasket	.216	.085
• Snap-On Lid (642)	.183	.072

### STANDARD WEIGHT (+/- 2%)

	g	lb.
• Pail	948	2.09
• Gasket Lid (652) includes gasket	278	0.61
• Snap-On Lid (642)	179	0.39

### THERMAL RESISTANCE (Tested with water)

- Filling from -38°C (-36°F) to 82°C (180°F)
- Warehousing from -40°C (-40°F) to 39°C (102°F)

### TOP LOADING RESISTANCE

	kg	lb.
• With Gasket Lid	229	504
• With Snap-On Lid	140	308

### CAPACITIES

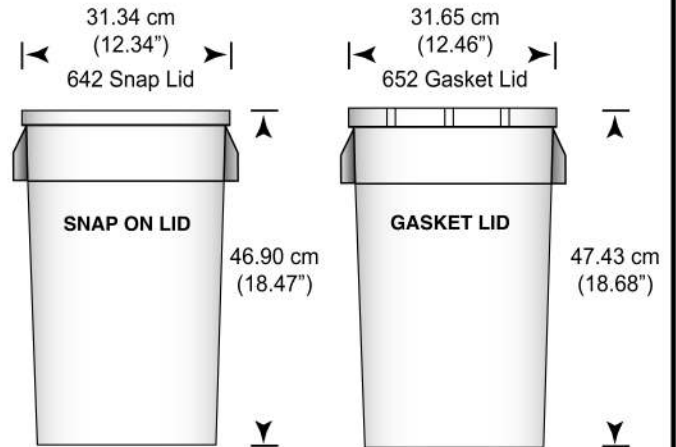
VOLUME	Litres	GALLONS	
		Imp.	U.S.
Nominal	22.75	5.00	6.01
Maximum to Overflow	25.82	5.68	6.82
Maximum with Gasket Lid	25.07	5.51	6.62
Maximum with Snap-On Lid	24.87	5.47	6.57

PRODUCT DENSITY g/cm <sup>3</sup>	Maximum Weight Filled with Lid			
	GASKET LID		SNAP-ON LID	
	kg	lb	kg	lb
0.5	13.15	28.93	13.00	28.60
0.6	15.78	34.71	15.60	34.32
0.7	18.41	40.50	18.20	40.04
0.8	21.04	46.28	20.80	45.75
0.9	23.67	52.07	23.40	51.47
1.0	26.30	57.85	26.00	57.19
1.1	28.93	63.64	28.60	62.91
1.2	31.56	69.42	31.20	68.63
1.3	34.18	75.21	33.80	74.35
1.4	36.81	80.99	36.40	80.07
1.5	39.44	86.78	39.00	85.79

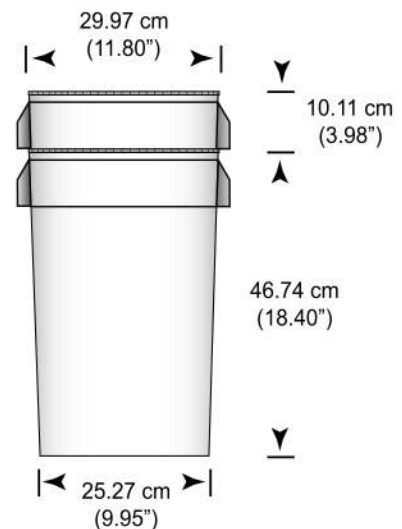
Above is a guideline only.

Customer should verify with specific product to be packaged.

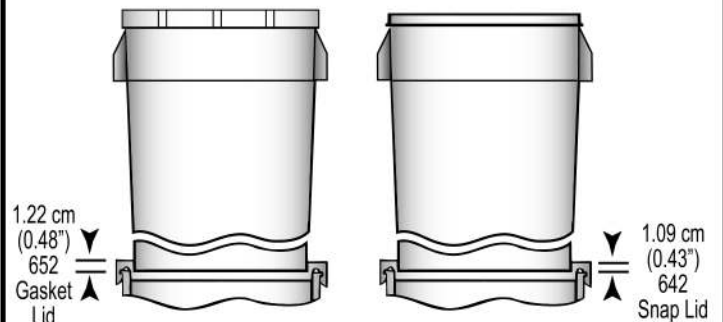
### 5 IMP. GALLON HAND GRIP CONTAINER



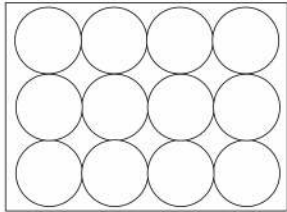
### NESTING



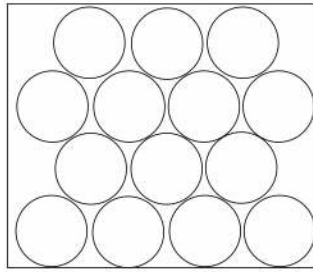
### STACKING



**PALLET UTILIZATION**



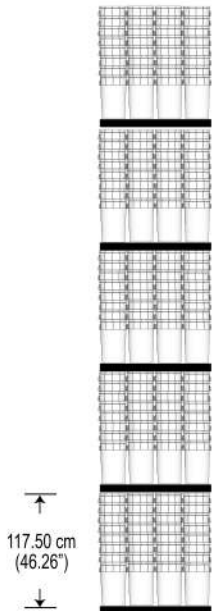
122 cm x 102 cm  
(48" x 40")



137 cm x 114 cm  
(54" x 45")

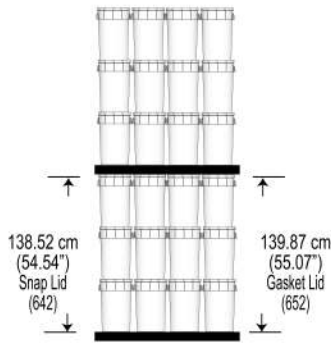
**IMPORTANT:** Never let pails overlap edge of pallet

**RECOMMENDED STACKING HEIGHT**



117.50 cm  
(46.26")

EMPTY PAILS



138.52 cm  
(54.54")  
Snap Lid  
(642)

139.87 cm  
(55.07")  
Gasket Lid  
(652)

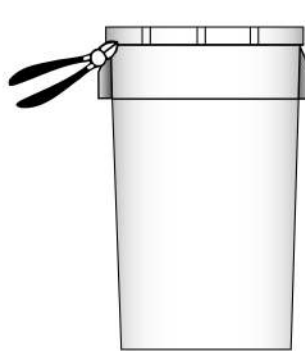
FILLED PAILS

**SHIPPING DATA**

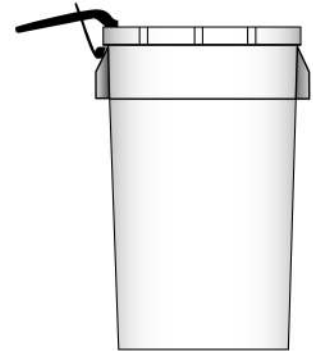
	751 PAIL	SNAP LID 642	GASKET LID 652
Quantity	96/pallet	96/box	48/box
Dimensions*	49.75" x 37.75" x 46.50"	25.75" x 13.00" x 27.25"	25.75" x 13.00" x 20.25"
Volume	50.54 cu. ft.	5.28 cu. ft.	3.92 cu. ft.
Weight**	92.56 kg 203.63 lbs	18.34 kg 40.35 lbs	14.20 kg*** 31.24 lbs***

\* AND \*\* DOES NOT INCLUDE WOODEN PALLET  
\*\*\* BASED ON GASKET LID WITHOUT FITTINGS

**OPENING**

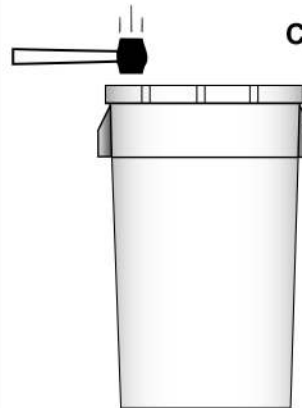


Cutters



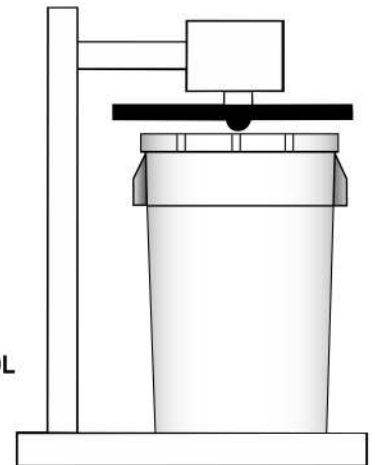
Lid lifter

**CLOSING**



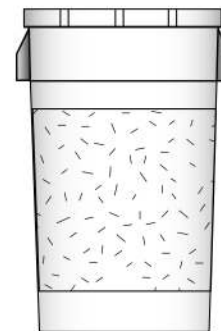
CLOSING TOOL

**RUBBER Mallet** (depress lid centre to force out excess air)



**PRINTING**

DRY OFFSET PRINTING (UP TO MAXIMUM 4 PANTONE COLORS)



24.10 cm  
(9.5")

**APPROVALS**

Pro-Western Plastics Ltd. disclaims any liability for the use of the information and data contained herein. We reserve the right to alter or modify any product and/or specification, at any time.