



**COMPONENTS**

- Material: Food approved high density polyethylene
- Standard Colour: White (Other colours on request)
- Plastic Fingergrip Handle
- Pour Spouts Available
- Gasket - SBR (Styrene-Butadiene Rubber)

**WALL THICKNESS**

	cm	inch
• Pail	.178	.070
• Gasket Lid (654)	.185	.073
• Snap-On Lid (624)	.160	.063

**STANDARD WEIGHT (±2%)**

	g	lb
• Pail (including handle)	625	1.38
• Pail (no handle)	585	1.29
• Gasket Lid (654) includes gasket	197	0.43
• Snap-On Lid (624)	127	0.28

**THERMAL RESISTANCE** (Tested with water)

- Filling from 38°C (-36°F) to 82°C (180°F)
- Warehousing from -40°C (-40°F) to 39°C (102°F)

**TOP LOADING RESISTANCE**

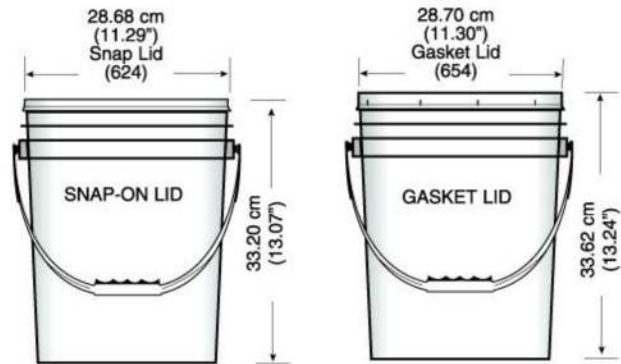
	kg	lb
• With Gasket Lid (654)	180	396
• With Snap-On Lid (624)	112	246

VOLUME	Litres	GALLONS	
		Imp.	U.S.
Nominal	15.00	3.30	3.96
Maximum to Overflow	16.46	3.62	4.35
Maximum with Gasket Lid	15.76	3.47	4.16
Maximum with Snap-On Lid	15.86	3.49	4.19

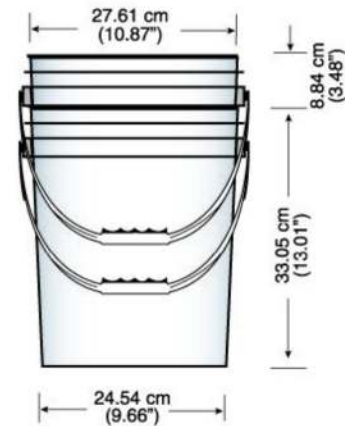
PRODUCT DENSITY g/cm <sup>3</sup>	Maximum Weight Filled with Lid			
	GASKET		SNAP-ON	
	kg	lb	kg	lb
0.5	8.28	18.21	8.29	18.25
0.6	9.94	21.86	9.95	21.90
0.7	11.59	25.50	11.61	25.55
0.8	13.25	29.14	13.27	29.20
0.9	14.90	32.79	14.93	32.85
1.0	16.56	36.43	16.59	36.49
1.1	18.21	40.07	18.25	40.14
1.2	19.87	43.72	19.91	43.79
1.3	21.53	47.36	21.57	47.44
1.4	23.18	51.00	23.22	51.09
1.5	24.84	54.64	24.88	54.74

Above is a guideline only.  
Customer should verify with specific product to be packaged.

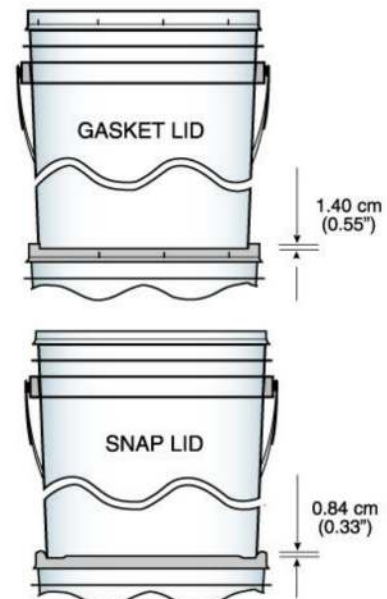
**LIGHTWEIGHT 15 LITRE CONTAINER**



**NESTING**

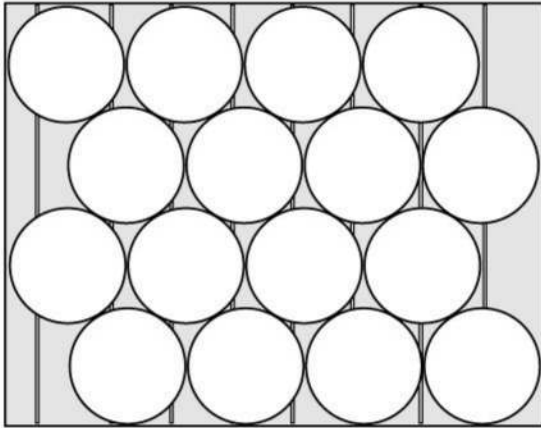


**STACKING**





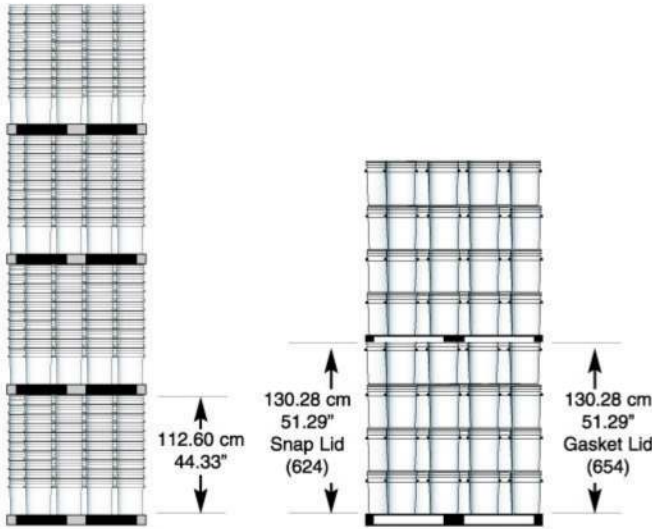
**PALLET UTILIZATION**



122 cm X 102 cm  
48" X 40"

**IMPORTANT:** Never let pails overlap edge of pallet

**RECOMMENDED STACKING HEIGHT**



**EMPTY PAILS**

**FULL PAILS**

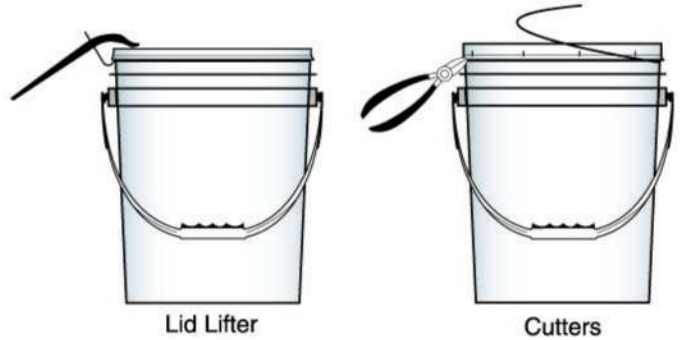
**SHIPPING DATA**

Quantity	733 PAIL	SNAP-ON (624)		GASKET (654)	
	150/pallet	150/box	600/plt	50/box	300/plt
Dimensions*	49.25" x 41.25" 45.75"	25.75" x 13.00" x 32.25"	49.25" x 41.25" x 17.00"	25.75" x 13.00" x 20.25"	49.25" x 41.25" x 16.00"
Volume	52.61 cu.ft.	6.25 cu. ft.	19.99 cu. ft.	3.92 cu. ft.	18.81 cu. ft.
Weight**	100.48 kg (221.06 lb)	20.21 kg (44.46 lb)	77.53 kg*** (170.57 lb)***	10.13 kg (22.29 lb)	60.73 kg*** (133.61 lb)***

\*and\*\* Do not include wooden pallet \*\*\* weight based on gasket lid without fittings

**NOTE:** Pallets are wrapped in a protective stretch film

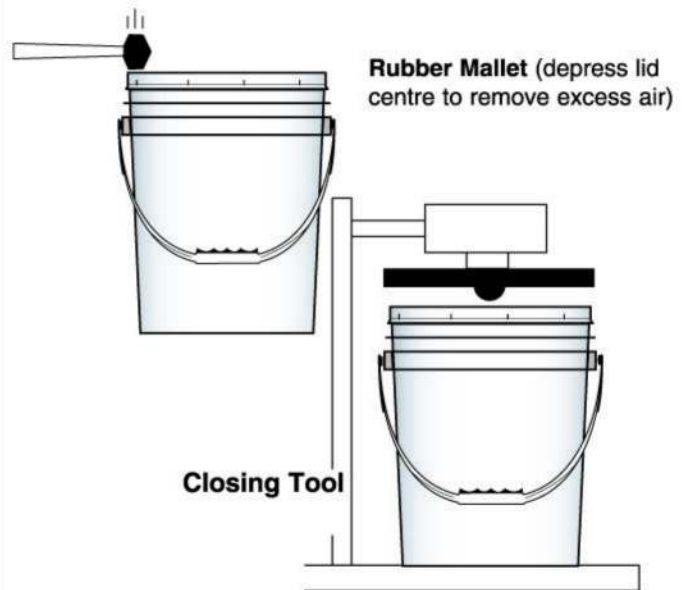
**OPENING**



Lid Lifter

Cutters

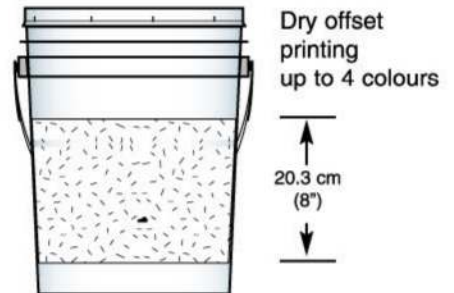
**CLOSING**



**Rubber Mallet** (depress lid centre to remove excess air)

Closing Tool

**PRINTING**



Dry offset printing up to 4 colours

20.3 cm  
(8")

**APPROVALS**

Pro-Western Plastics Ltd. disclaims any liability for the use of the information & data contained herein. We reserve the right to alter or modify any product &/or specification, at any time.