



**COMPONENTS**

- Material: Food approved high density polyethylene
- Standard Color: White (Other colors on request)
- Plastic Fingergrip Handle
- Pour spouts available
- Gasket: SBR (Styrene-Butadiene Rubber)

<b>WALL THICKNESS</b>	cm	inch
• Pail	.168	.066
• Gasket Lid (654)	.185	.073
• Snap-On Lid (624)	.160	.063

<b>STANDARD WEIGHT (+/- 2%)</b>	g	lb.
• Pail (with handle)	636	1.40
• Gasket Lid (654) includes gasket	197	0.43
• Snap-On Lid (624)	127	0.28

**THERMAL RESISTANCE (Tested with water)**

- Filling from -38°C (-36°F) to 82°C (180°F)
- Warehousing from -40°C (-40°F) to 39°C (102°F)

<b>TOP LOADING RESISTANCE</b>	kg	lb.
• With Gasket Lid (654)	180	396
• With Snap-On Lid (624)	112	246

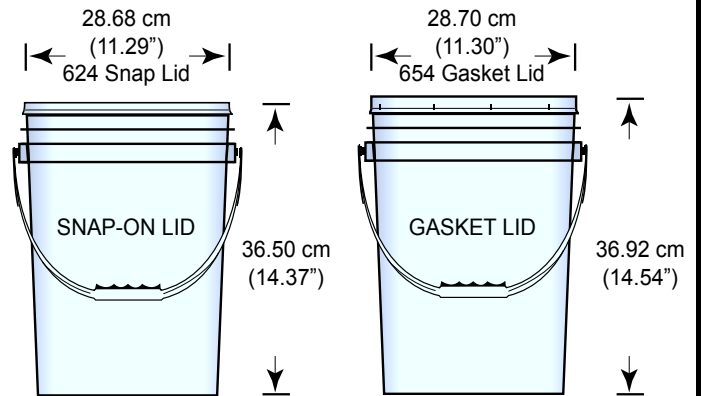
**CAPACITIES**

VOLUME	Litres	GALLONS	
		Imp.	U.S.
Nominal	16.00	3.52	4.23
Maximum to Overflow	18.10	3.98	4.78
Maximum with Gasket Lid	17.40	3.83	4.60
Maximum with Snap-On Lid	17.50	3.85	4.62

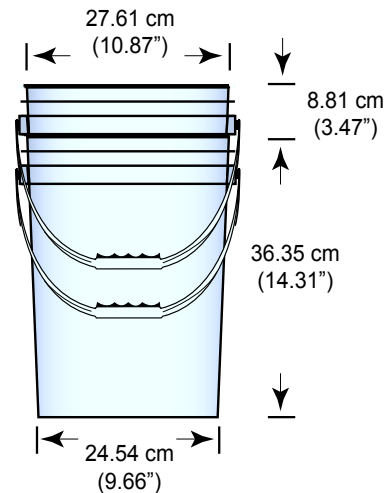
PRODUCT DENSITY g/cm <sup>3</sup>	Maximum Weight Filled with Lid			
	GASKET LID (654)		SNAP-ON LID (624)	
	kg	lb	kg	lb
0.5	9.12	20.06	9.13	20.09
0.6	10.94	24.07	10.96	24.11
0.7	12.76	28.08	12.78	28.12
0.8	14.59	32.09	14.61	32.14
0.9	16.41	36.10	16.44	36.16
1.0	18.23	40.11	18.26	40.18
1.1	20.06	44.12	20.09	44.20
1.2	21.88	48.14	21.92	48.21
1.3	23.70	52.15	23.74	52.23
1.4	25.53	56.16	25.57	56.25
1.5	27.35	60.17	27.39	60.27

Above is a guideline only.  
Customer should verify with specific product to be packaged.

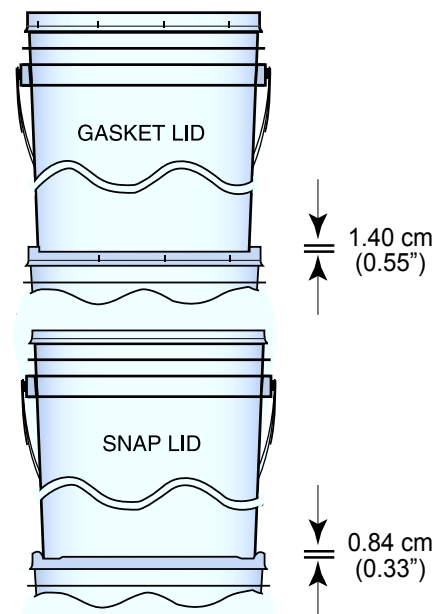
**LIGHTWEIGHT 16 LITRE CONTAINER**



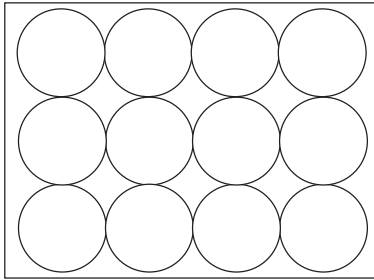
**NESTING**



**STACKING**



**PALLET UTILIZATION**

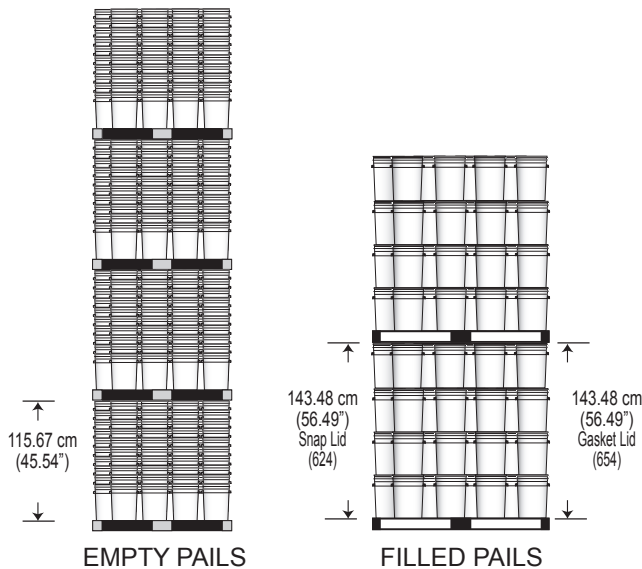


**122 cm x 102 cm**  
**(48" x 40")**

**12 STACKS OF 12 =144**

**IMPORTANT: Never let pails overlap edge of pallet**

**RECOMMENDED STACKING HEIGHT**



EMPTY PAILS

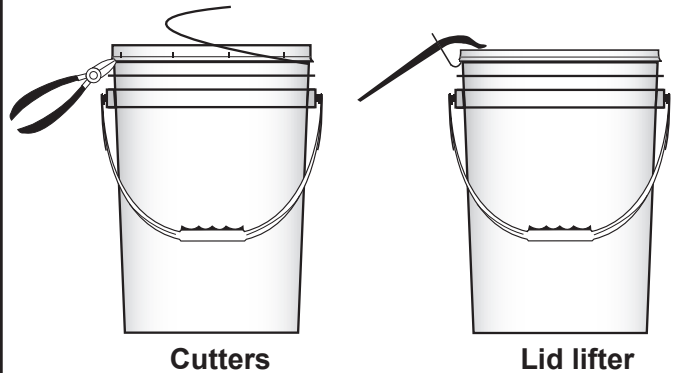
FILLED PAILS

**SHIPPING DATA**

Quantity	732 PAIL	SNAP LID <sup>624</sup>		GASKET LID <sup>654</sup>	
	150/pallet	150/box	600/plt	50/box	300/plt
Dimensions*	49.25" x 41.25" x 45.75"	25.75" x 13.00" x 32.25"	49.25" x 41.25" x 17.00"	25.75" x 13.00" x 20.25"	49.25" x 41.25" x 16.00"
Volume	53.79 cu. ft.	6.25 cu. ft.	19.99 cu. ft.	3.92 cu. ft.	18.81 cu. ft.
Weight**	97.03 kg 213.47 lbs	20.21 kg 44.46 lbs	77.53 kg 170.57 lbs	10.13 kg 22.29 lbs	60.73 kg 133.61 lbs

\* AND \*\* DOES NOT INCLUDE WOODEN PALLET  
\*\*\* BASED ON GASKET LID WITHOUT FITTINGS

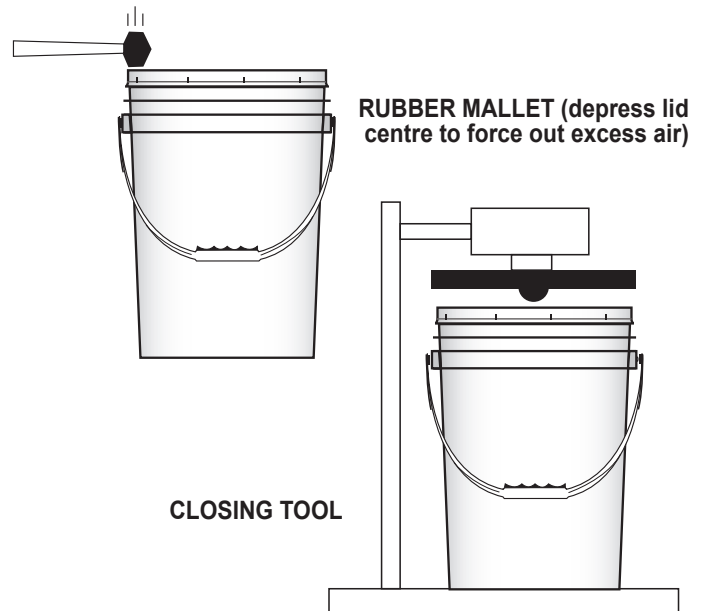
**OPENING**



Cutters

Lid lifter

**CLOSING**

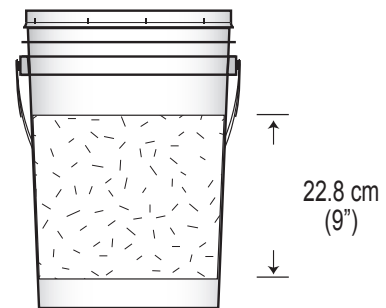


RUBBER Mallet (depress lid centre to force out excess air)

CLOSING TOOL

**PRINTING**

**DRY OFFSET PRINTING (UP TO MAXIMUM 4 PANTONE COLORS)**



**APPROVALS**

Pro-Western Plastics Ltd. disclaims any liability for the use of the information and data contained herein. We reserve the right to alter or modify any product and/or specification, at any time.