

**COMPONENTS**

- Material: Food approved high density polyethylene
- Standard Colour: White (Other colours on request)
- Plastic Fingergrip Handle
- Pour spouts available
- Gasket: SBR (Styrene-Butadiene Rubber)

**WALL THICKNESS**

	cm	inch
• Pail	157	.062
• Gasket Lid (654)	.185	.073
• Snap-On Lid (624)	.160	.063

**STANDARD WEIGHT (± 2%)**

	g	lb
• Pail with plastic handle	435	0.96
• Gasket Lid (654)	197	0.43
• Snap-On Lid (624)	127	0.28

**THERMAL RESISTANCE** (Tested with water)

- Filling from 38°C (-36°F) to 82°C (180°F)
- Warehousing from -40°C (-40°F) to 39°C (102°F)

**TOP LOADING RESISTANCE**

	kg	lb
• With Gasket Lid (654):	180	396
• With Snap-On Lid (624):	112	246

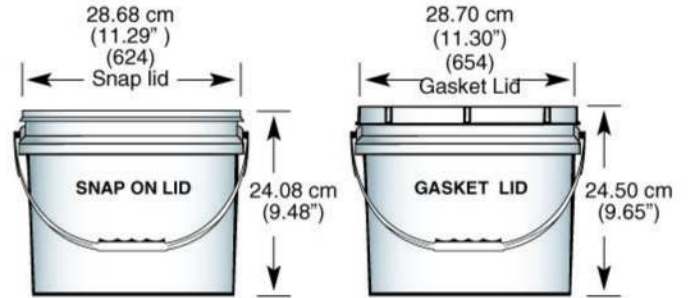
**CAPACITIES**

VOLUME	Litres	GALLONS	
		Imp.	U.S.
Nominal	11.00	2.42	2.91
Maximum to Overflow	11.80	2.60	3.12
Maximum with Snap-On Lid	11.10	2.44	2.93
Maximum with Gasket Lid	11.20	2.46	2.96

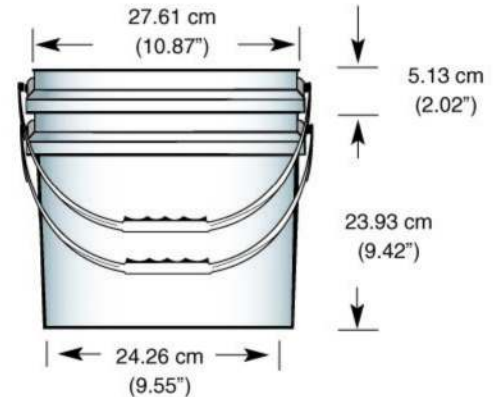
PRODUCT DENSITY g/cm <sup>3</sup>	Maximum Weight Filled with Lid			
	GASKET		SNAP-ON	
	kg	lb	kg	lb
0.5	5.87	12.91	5.88	12.94
0.6	7.04	15.49	7.06	15.53
0.7	8.21	18.07	8.23	18.11
0.8	9.39	20.65	9.41	20.70
0.9	10.56	23.23	10.59	23.29
1.0	11.73	25.81	11.76	25.88
1.1	12.91	28.39	12.94	28.46
1.2	14.08	30.97	14.11	31.05
1.3	15.25	33.55	15.29	33.64
1.4	16.42	36.13	16.47	36.23
1.5	17.60	38.72	17.64	38.81

Above is a guideline only.  
Customer should verify with specific product to be packaged.

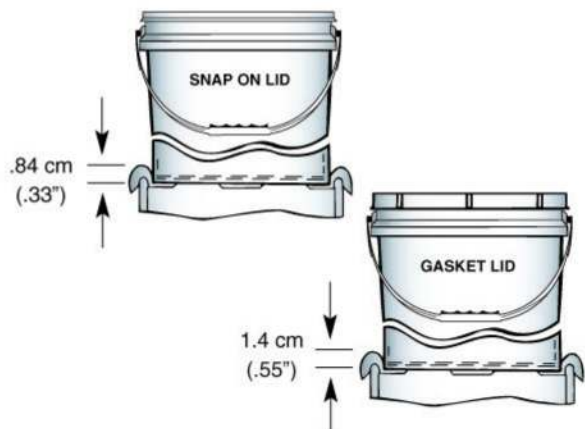
**11 LITRE CONTAINER**



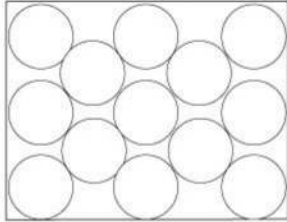
**NESTING**



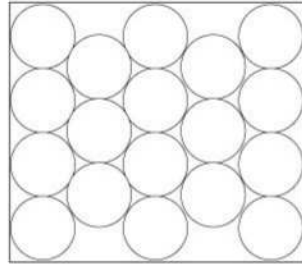
**STACKING**



**PALLET UTILIZATION**



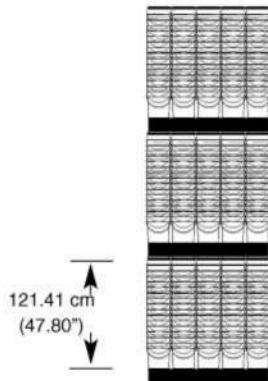
**122 cm x 102 cm  
(48" x 40")**



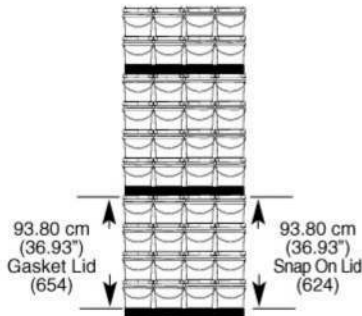
**137 cm x 114 cm  
(54" x 45")**

**IMPORTANT:** Never let pails overlap edge of pallet.

**RECOMMENDED STACKING HEIGHT**



**EMPTY PAILS**



**FILLED PAILS**

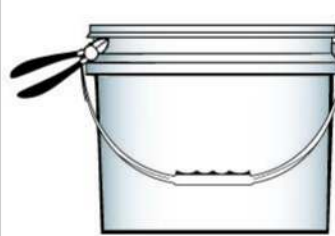
**SHIPPING DATA**

Quantity	723 PAIL	SNAP-ON (624)		GASKET (654)	
	300/pallet	150/box	600/plt	50/box	300/plt
Dimensions*	49.25" x 41.25" 48.00"	25.75" x 13.00" x 32.25"	49.25" x 41.25" x 17.00"	25.75" x 13.00" x 20.25"	49.25" x 41.25" x 16.00"
Volume	56.43 cu.ft.	6.25 cu. ft.	19.99 cu. ft.	3.92 cu. ft.	18.81 cu. ft.
Weight**	132.13 kg (290.69 lb)	20.21 kg (44.46 lb)	77.53 kg (170.57 lb)	10.13 kg (22.29 lb)	60.73 kg (133.61 lb)

\*and\*\* Do not include wooden pallet

**NOTE:** Pallets are wrapped up in a protective stretch film.

**OPENING**

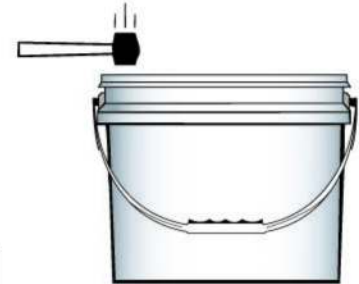


**Cutters**

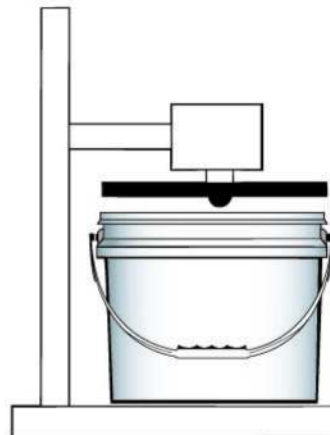


**Lid lifter**

**CLOSING**



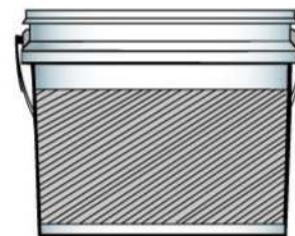
**Rubber Mallet**  
(depress lid centre to force out excess air)



**Closing Tool**

**DECORATION**

Offset printing up to 4 colors



15.1 cm  
(6")

**APPROVALS**

Pro-Western Plastics Ltd. disclaims any liability for the use of the information & data contained herein. We reserve the right to alter or modify any product &/or specification, at any time.