



COMPONENTS

- Material: Food approved high density polyethylene
- Standard Colour: White (Other colours on request)
- Plastic Handle

WALL THICKNESS

| | cm | inch |
|---------------------|------|------|
| • Pail | 142 | .056 |
| • Snap-On Lid (617) | .130 | .051 |

STANDARD WEIGHT (± 2%)

| | g | lb. |
|---------------------------|-----|-----|
| • Pail (including handle) | 329 | .72 |
| • Snap-On Lid (617) | 80 | .18 |

THERMAL RESISTANCE (Tested with water)

- Filling from 38°C (-36°F) to 82°C (180°F)
- Warehousing from -40°C (-40°F) to 39°C (102°F)

TOP LOADING RESISTANCE

| | kg | lb. |
|--------------------------|-----|-----|
| • With Snap-On Lid (617) | 112 | 247 |

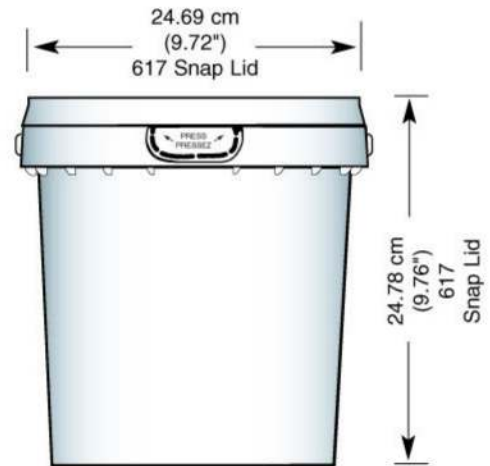
CAPACITIES

| VOLUME | Litres | GALLONS | |
|--------------------------|--------|---------|------|
| | | Imp. | U.S. |
| Nominal | 7.57 | 1.67 | 2.00 |
| Maximum to Overflow | 8.76 | 1.93 | 2.31 |
| Maximum with Snap-On Lid | 8.31 | 1.83 | 2.20 |

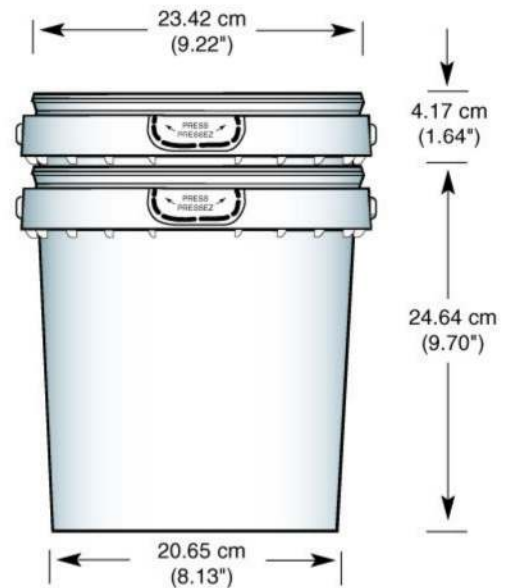
| PRODUCT DENSITY g/cm ³ | Maximum Weight Filled with Lid | |
|--------------------------------------|--------------------------------|-------|
| | kg | lb |
| 0.5 | 4.36 | 9.59 |
| 0.6 | 5.23 | 11.51 |
| 0.7 | 6.10 | 13.43 |
| 0.8 | 6.98 | 15.35 |
| 0.9 | 7.85 | 17.26 |
| 1.0 | 8.72 | 19.18 |
| 1.1 | 9.59 | 21.10 |
| 1.2 | 10.46 | 23.02 |
| 1.3 | 11.33 | 24.94 |
| 1.4 | 12.21 | 26.85 |
| 1.5 | 13.08 | 28.77 |

Above is a guideline only.
Customer should verify with specific product to be packaged.

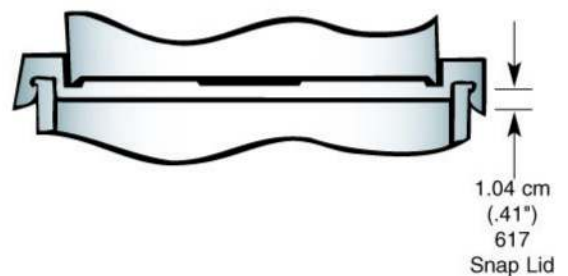
TAMPER EVIDENT 2 U.S. GALLON PAIL



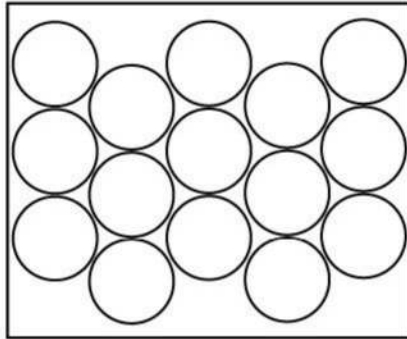
NESTING



STACKING



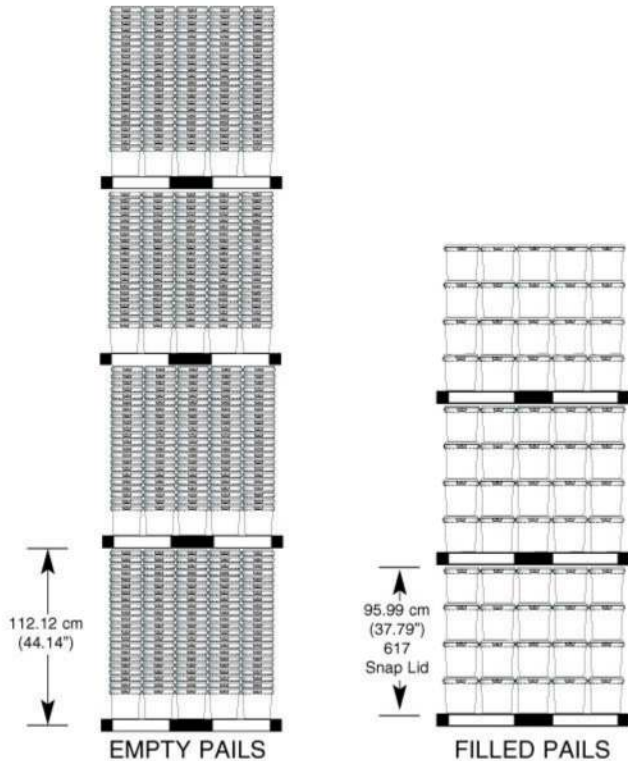
PALLET UTILIZATION



122 cm x 102 cm
(48" x 40")

IMPORTANT: Never let pails overlap edge of pallet

RECOMMENDED STACKING HEIGHT



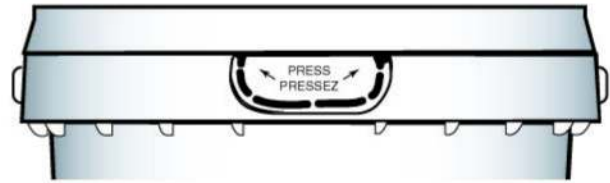
SHIPPING DATA

| | 717 PAIL | SNAP ON LID 617 |
|-------------|--------------------------|----------------------------|
| Quantity | 440/Pallet | 220/box |
| Dimensions* | 49.25" x 41.25" x 44.50" | 20.25" x 20.25" x 18.25" |
| Volume | 52.32 cu. ft. | 4.33 cu. ft. |
| Weight** | 146.39 kg 322.06 lb | 18.67 kg 41.07 lb |

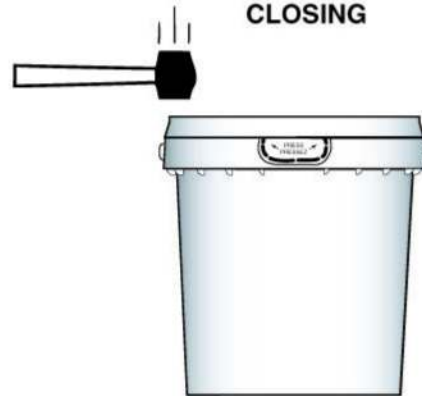
* and ** DOES NOT INCLUDE WOODEN PALLET

OPENING

Break Tab & Lift Off Lid

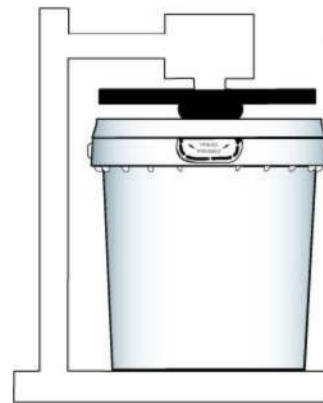


CLOSING



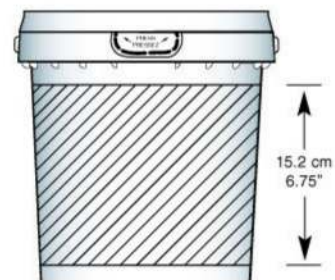
Rubber Mallet (depress lid centre to force out excess air.)

Closing Tool



DECORATION

Offset printing up to 4 colours



APPROVALS

Pro-Western Plastics Ltd. disclaims any liability for the use of the information & data contained herein. We reserve the right to alter or modify any product &/or specification, at any time.