



COMPONENTS

- Material: Food approved high density polyethylene
- Standard Colour: White (Other colours on request)
- Plastic Handle

WALL THICKNESS

	cm	inch
• Pail	127	.050
• Snap-On Lid (613)	.130	.051

STANDARD WEIGHT (± 2%)

	g	lb.
• Pail (including handle)	192	.42
• Snap-On Lid (613)	53	.12

TOP LOADING RESISTANCE

	kg	lb.
• With Snap-On Lid (613)	100	220

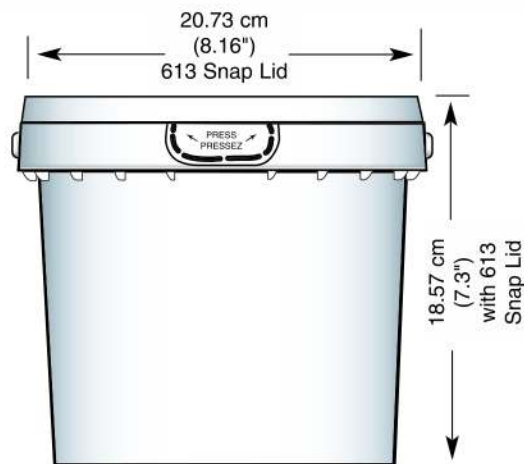
CAPACITIES

VOLUME	Litres	GALLONS	
		Imp.	U.S.
Nominal	3.79	0.83	1.00
Maximum to Overflow	4.61	1.01	1.22
Maximum with Snap-On Lid	4.35	0.96	1.15

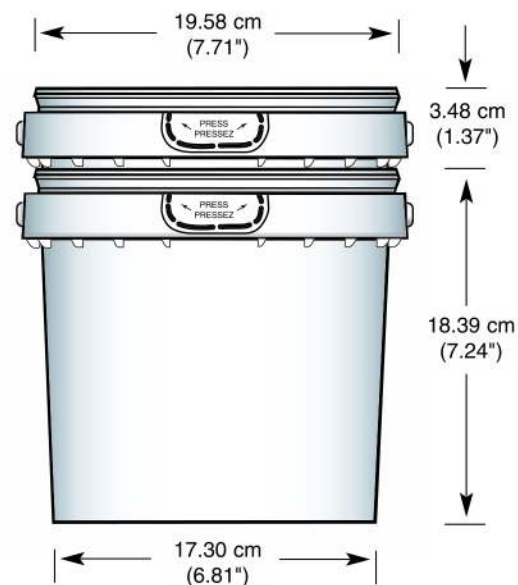
PRODUCT DENSITY g/cm ³	Maximum Weight Filled with Lid	
	kg	lb
0.5	2.30	5.05
0.6	2.76	6.07
0.7	3.22	7.08
0.8	3.68	8.09
0.9	4.14	9.10
1.0	4.60	10.11
1.1	5.05	11.12
1.2	5.51	12.13
1.3	5.97	13.14
1.4	6.43	14.15
1.5	6.89	15.16

Above is a guideline only.
Customer should verify with specific product to be packaged.

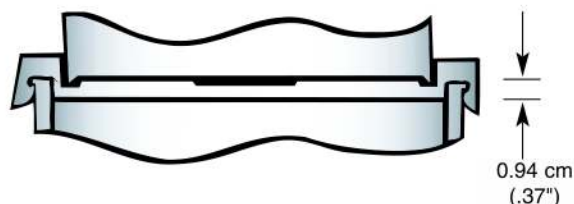
Tamper Evident 1 U.S. Gallon Pail



NESTING

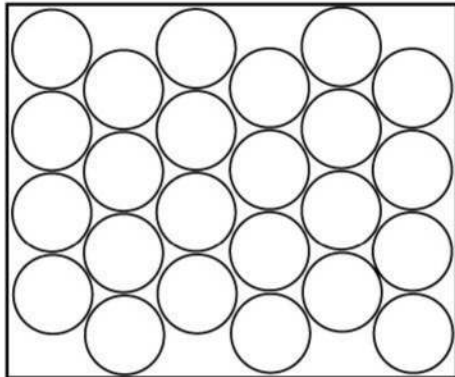


STACKING





PALLET UTILIZATION

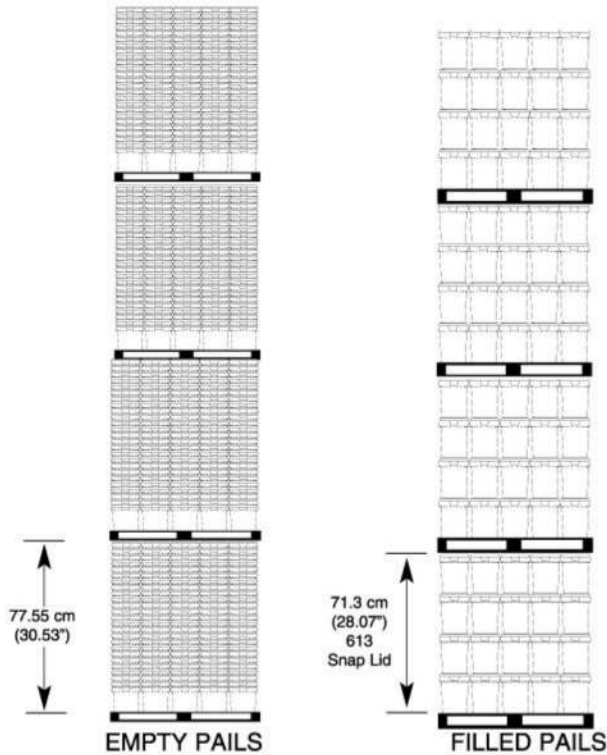


Each Stack
30 Pails
High

122 cm x 102 cm (48" x 40")

IMPORTANT: Never let pails overlap edge of pallet

RECOMMENDED STACKING HEIGHT



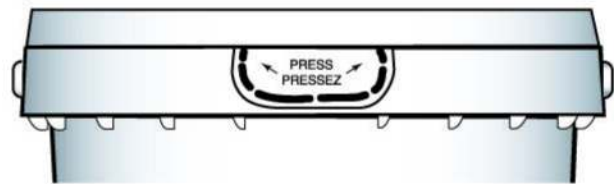
SHIPPING DATA

	713 PAIL	SNAP LID 613	PAIL & LID 713 PKG
Quantity	540/pallet	180/box	75/box
Dimensions*	49.25" x 41.25" x 30.75"	24.25" x 18.00" x 19.00"	18.00" x 18.00" x 32.25"
Volume	36.15 cu. ft.	2.27 cu. ft.	6.05 cu. ft.
Weight**	105.31 kg 231.68 lbs	6.62 kg 14.56 lbs	19.63 kg 43.19 lbs

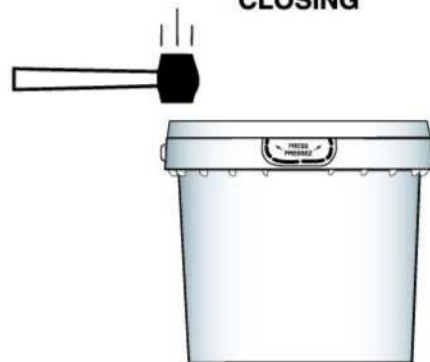
* and ** DOES NOT INCLUDE WOODEN PALLET

OPENING

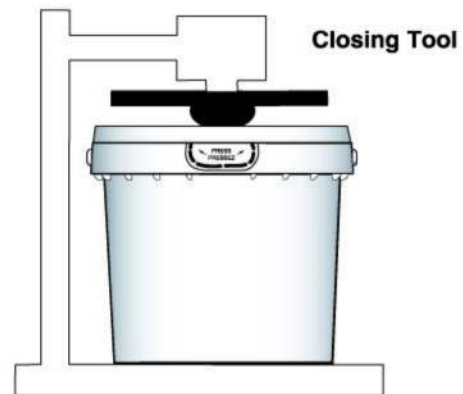
Break Tab & Lift Off Lid



CLOSING

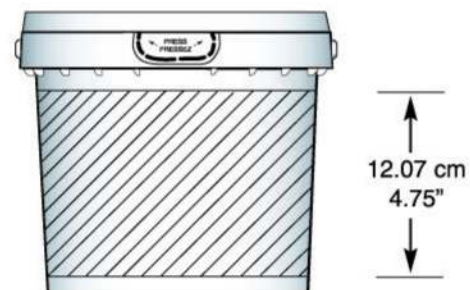


Rubber Mallet (depress lid centre to force out excess air.)



DECORATION

Offset printing up to 4 colours



APPROVALS

Pro-Western Plastics Ltd. disclaims any liability for the use of the information & data contained herein. We reserve the right to alter or modify any product &/or specification, at any time.