



COMPONENTS

- Material: Food approved high density polyethylene
- Standard Color: White (Other colors on request)
- Plastic Handle with Finger Grip
- Gasket: SBR (Styrene-Butadiene Rubber)

WALL THICKNESS	cm	inch
• Pail	.188	.074
• Gasket Lid TT (633)	.160	.063
• Snap-On TT Lid (632)	.163	.064
• Snap-On Lid (631)	.142	.056

STANDARD WEIGHT (+/- 2%)	g	lb.
• Pail (including handle)	700	1.54
• Gasket Lid TT (633) includes gasket	165	0.36
• Snap-On TT Lid (632)	148	0.33
• Snap-On Lid (631)	120	0.26

- THERMAL RESISTANCE (Tested with water)**
- Filling from -38°C (-36°F) to 82°C (180°F)
 - Warehousing from -40°C (-40°F) to 39°C (102°F)

TOP LOADING RESISTANCE	kg	lb.
• With Gasket TT Lid	70	154
• With Snap-On TT Lid	70	154
• With Snap-On Lid	70	154

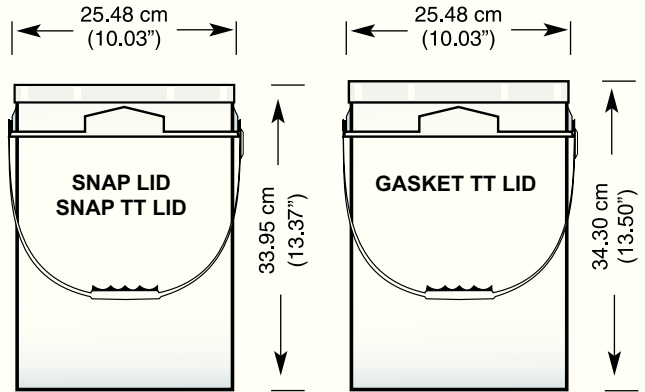
CAPACITIES

VOLUME	Litres	GALLONS	
		Imp.	U.S.
Nominal	15.14	3.33	4.00
Maximum to Overflow	16.75	3.68	4.42
Maximum with Gasket TT Lid	16.20	3.56	4.28
Maximum with Snap-On TT Lid	16.16	3.55	4.27
Maximum with Snap-On Lid	16.05	3.53	4.24

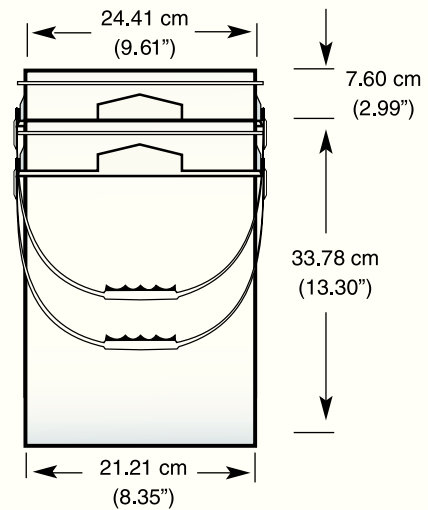
PRODUCT DENSITY g/cm ³	Maximum Weight Filled with Lid					
	GASKET TT LID		SNAP-ON TT LID		SNAP-ON LID	
	kg	lb	kg	lb	kg	lb
0.5	8.53	18.77	8.50	18.71	8.44	18.56
0.6	10.24	22.53	10.20	22.45	10.12	22.27
0.7	11.95	26.28	11.91	26.19	11.81	25.98
0.8	13.65	30.03	13.61	29.93	13.50	29.69
0.9	15.36	33.79	15.31	33.68	15.18	33.40
1.0	17.07	37.54	17.01	37.42	16.87	37.11
1.1	18.77	41.30	18.71	41.16	18.56	40.83
1.2	20.48	45.05	20.41	44.90	20.24	44.54
1.3	22.18	48.81	22.11	48.64	21.93	48.25
1.4	23.89	52.56	23.81	52.38	23.62	51.96
1.5	25.60	56.31	25.51	56.13	25.31	55.67

Above is a guideline only.
Customer should verify with specific product to be packaged.

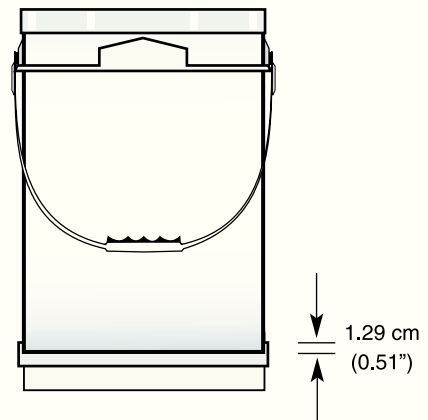
4 U.S. GALLON SQUARE CONTAINER



NESTING

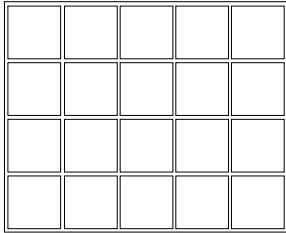


STACKING





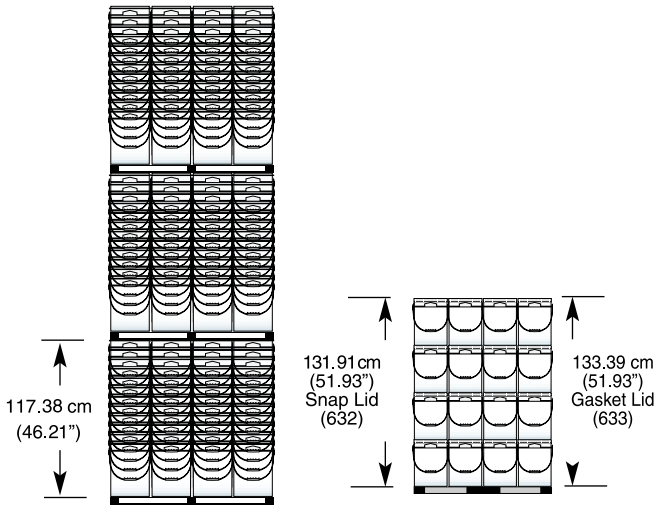
MAXIMUM PALLET UTILIZATION



122 cm x 102 cm
(48" x 40")

IMPORTANT: Never let pails overlap edge of pallet.

RECOMMENDED STACKING HEIGHT



EMPTY PAILS

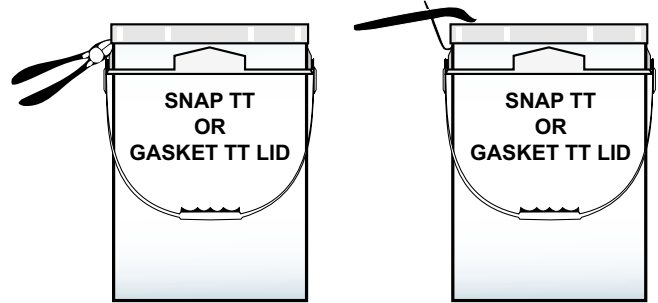
FILLED PAILS

SHIPPING DATA

	433 Square	SNAP TT LID 632	SNAP LID 631	GASKET TT LID 633
Quantity	240/pallet	80/box	120/box	80/box
Dimensions*	50.25" x 42.25" x 46.50"	20.25" x 20.25" x 12.75"	20.25" x 20.25" x 14.75"	20.25" x 20.25" x 12.75"
Volume	57.13 cu. ft.	3.03 cu. ft.	3.50 cu. ft.	3.03 cu. ft.
Weight**	169.63 kg 373.19 lbs	12.76 kg 28.07 lbs	15.32 kg 33.70 lbs	14.12 kg 31.06 lbs

* and ** Does not include wooden pallet

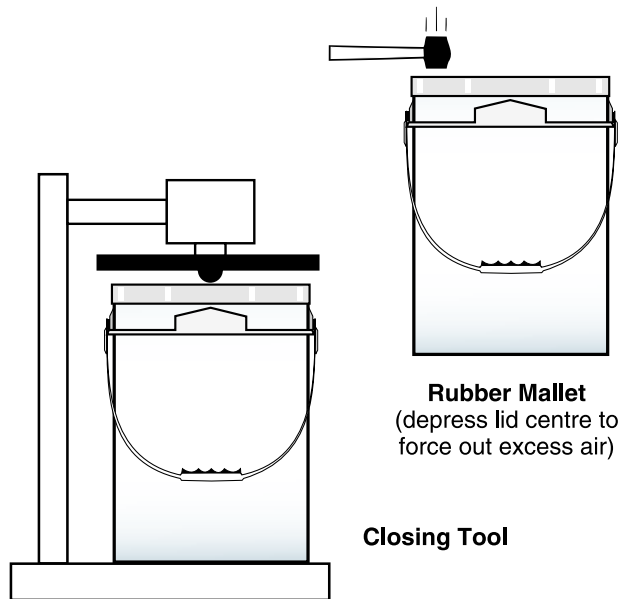
OPENING



Cutters

Lid lifter

CLOSING



Rubber Mallet
(depress lid centre to force out excess air)

Closing Tool

DECORATION

Printing not available at this time

APPROVALS

Pro-Western Plastics Ltd. disclaims any liability for the use of the information & data contained herein. We reserve the right to alter or modify any product &/or specification, at any time.